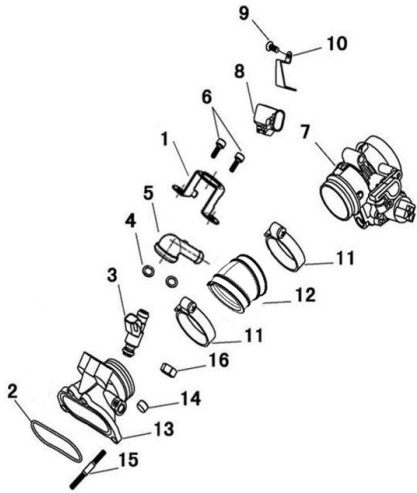




# 2024 BAD BOY 750 ENGINE

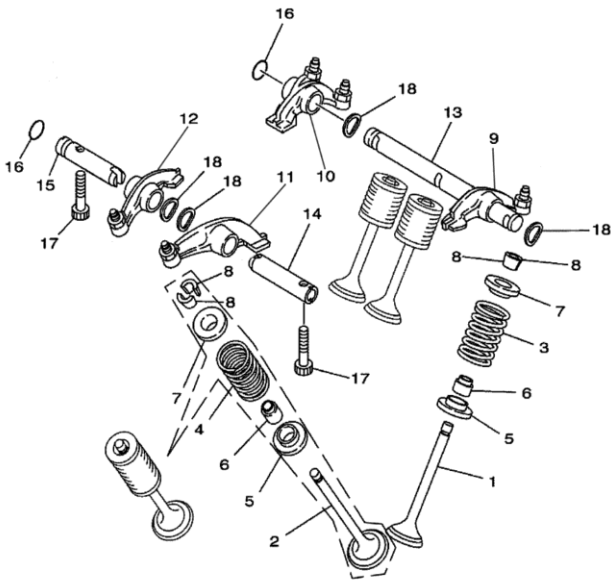
## THROTTLE BODY



## ENGINE

No	Part Number	Description	QTY
1	P007000164310000	Fuel injector clamp	1
2	P007000124050000	Seal,intake-tube	1
3	P007C00165300000	Fuel Injector (25377439)	1
4	PJ00000906010100	Aluminum Washer 6x12x1.5	2
5	P007000164300004	Fixed Seat III,Fuel Injector	1
6	BGB70M612	Hexagon Socket Head Cap Screw M6x12	2
7	P004E00164000101	Throttle Body Assy (D46-U)	1
8	P010000391500000	Air intake temperature & pressure sensor (28086011)	1
9	BGB90744M48	Screw And Washer Assy M4x8	1
10	P010000167010000	Fixed Plate,TEMP	1
11	PJ00000907300800	Hose Clamp assembly Ø50~Ø70	2
12	P007C00124010000	inlet pipe joint	1
13	P007C001241A0000	Adapter Assy	1
14	PJ00000929000400	Bushing Ø7xØ9x8	4
15	BGB897M632	Stud M6x32	4
16	BGB6177M6	Nut M6	4

## VALVES



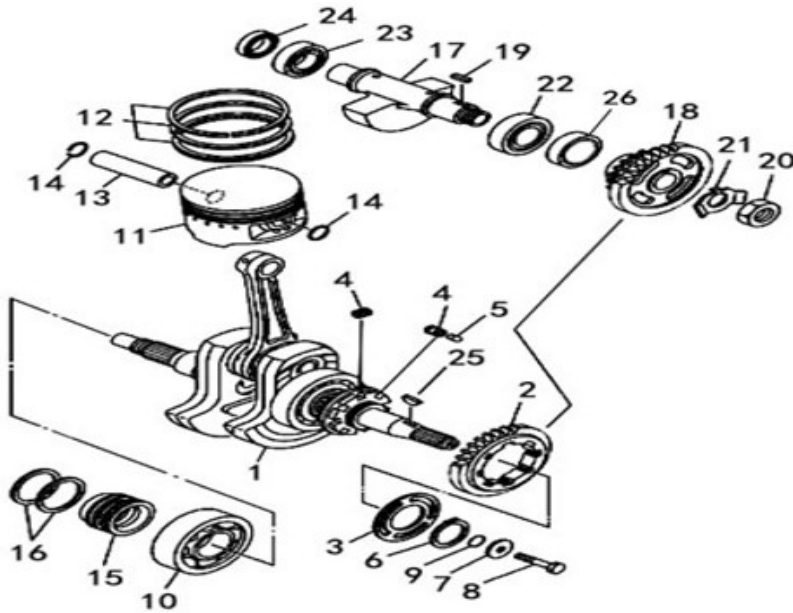
## ENGINE

No	Part Number	Description	QTY
1	P007000147110000	Valve Intake	3
2	P007000147210000	Valve Exhaust	2
3	P007000147030000	Spring,Intake Valve	3
4	P007000147040000	Spring,Exhaust Valve	2
5	P007000147020000	Washer,Valve Spring	5
6	P007000147050000	Valve Stem Seal	5
7	P007000147070000	Retainer Valve Spring	5
8	P007000147130000	collet valve	10
9	P0070001441A0000	Intake Valve Rocker I (26)	1
10	P0070001443A0000	Rocker Arm II (27) ,Intake	1
11	P0070001444A0000	Exhaust Valve Rocker II (29)	1
12	P0070001442A0000	Exhaust Valve Rocker I (28)	1
13	P007000144030000	Intake Valve Rockershaft	1
14	P007000144040000	Exhaust Valve Rockershaft I	1
15	P007000144050000	Exhaust Valve Rockershaft II	1
16	PJ00000912010700	O-Ring 9x2	2
17	BGB70M620	Hexagon Socket Head Cap Screw M6x20	2
18	PJ00000906040100	Wave Mode Washer 12.5x34x0.4	4



## 2024 BAD BOY 750 ENGINE

### CRANKSHAFT & PISTON ASSEMBLY



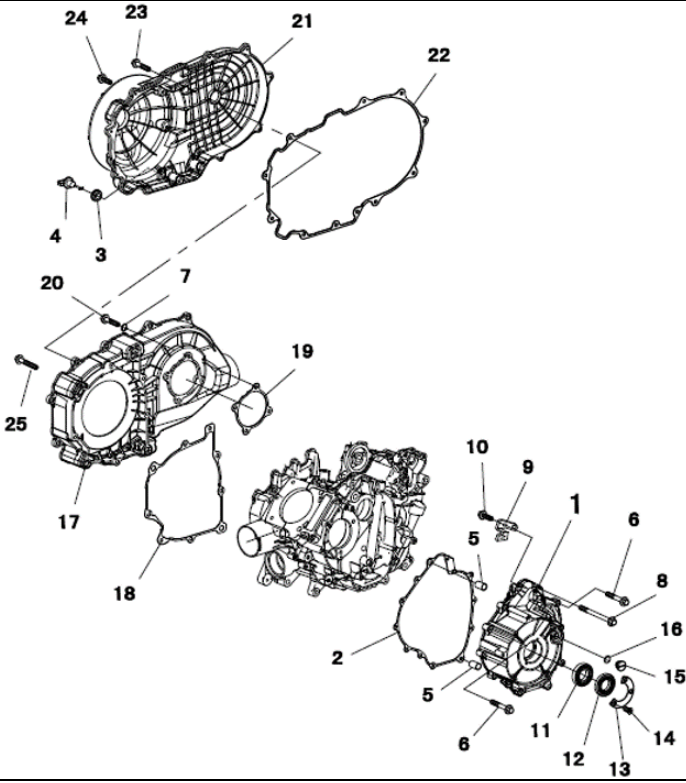
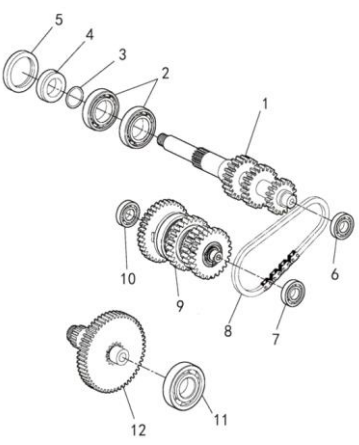
### ENGINE

No	Part Number	Description	QTY
1	P016000132000100	Crankshaft Assy	1
2	P004000133220000	Driving Gear Balance Shaft	1
3	P004000133230000	Spacing Plate, Balance Gear	1
4	P016000133250000	Buffer Spring, Balance Gear	8
5	P004000133260000	Spacer Pin, Balance Gear	4
6	BGB894135	Circlip for shaft Ø35	1
7	PJ00000906008000	Washer 10x32x5	1
8	BGB5787M1012540129	Bolts Hexagon flange M10x1.25x40	1
9	PJ00000912012000	O-Ring 16x3	1
10	BGB2766307	Bearing 6307	1
11	P007000131010000	Piston	1
12	P0070001311A0000	Set Piston Ring	1
13	P007000131020000	Pin Piston	1
14	P007000131070000	Clip Pin Piston	2
15	P004000110230000	Bushing, Sealing Ring	1
16	P003000110240000	Sealing Ring	2
17	P0160001331A0000	Balance Shaft assy	1
18	P0160001332A0000	Driven Gear Balance Shaft assy	1
19	BGB1096B5124	Flat key B5x12.4	1
20	PJ00000904021000	Nut M18x1	1
21	PJ00000906030400	Tab Washer B	1
22	BGB2766305	Bearing 6305	1
23	BGB2766304	Bearing 6304	1
24	PJ00000911012100	Oil Seal 20x30x7	1
25	P004000130010001	Woodruff Key	1
26	P016000133270000	Bushing, Balance driven gear	1

## 2024 BAD BOY 750 ENGINE

CRANKCASE	ENGINE			
	No	Part Number	Description	QTY
	1	P0070001110A0003	Right Crankcase Assy	1
	2	PJ00000908020500	Pin Dowel 9x12x16	2
	3	BGB5787M630	Bolts Hexagon flange M6x30	19
	4	P0070001120A0002	Left Crankcase Assy	1
	5	BGB5787M640	Bolts Hexagon flange M6x40	4
	6	BGB5787M685	Bolts Hexagon flange M6x85	1
	7	BGB70M840	Hexagon Socket Head Cap Screw M8x40	3
	8	PJ00000906010700	Aluminum Washer 14x20x1.5	0
	9	PJ00000904050400	Plug M14x1.5x16	0
	10	P007000156500100	Plug assembly	1
	11	PJ00000912012400	O-Ring 18x3.5	2
	12	P004000110130000	Plate,Main Bearing	1
	13	BGB5787M616	Bolts Hexagon flange M6x16	2
	14	P004000113210100	Bearing chock	1
	15	P004000113220100	Gasket	1
	16	BGB27616010	Bearing 16010	1
	17	PJ00000911012200	Oil Seal 35x65x9	1
	18	BGB89380	Circlip for hole Ø80	1
	19	P004000171660100	Bracket,CVT Vent-Pipe	1
	20	BGB907414M616	Screw And Washer Assy M6x16	4
	21	PJ00000908020300	Pin Dowel 10x16	4
	22	P004000113310000	Strap Clutch cover plated	1
	23	BGB5789M632	Bolts Hexagon flange M6x32	2
	24	BGB5789M640	Bolts Hexagon flange M6x40	2
	25	BGB2766201 2Z	Bearing 62012Z	1
	26	PJ00000911011200	Oil Seal 12x32x6	1
	27	P004000110320000	Press Plate,Bracket Oil Seal	1
	28	BGB5787M612	Bolts Hexagon flange M6x12	1
	29	BGB5787M1012516	Bolts Hexagon flange M10x1.25x16	1
	30	PJ00000906020300	Copper Washer 10x16x1	1
	31	P012000365500000	Gear position switch	1
	32	PJ00000912013800	O-Ring 29.6x2.4	1
	33	P309001006300000	Tube Oil Level	1
	34	BGB5787M635	Bolts Hexagon flange M6x35	7
	35	BGB5787M645	Bolts Hexagon flange M6x45	2

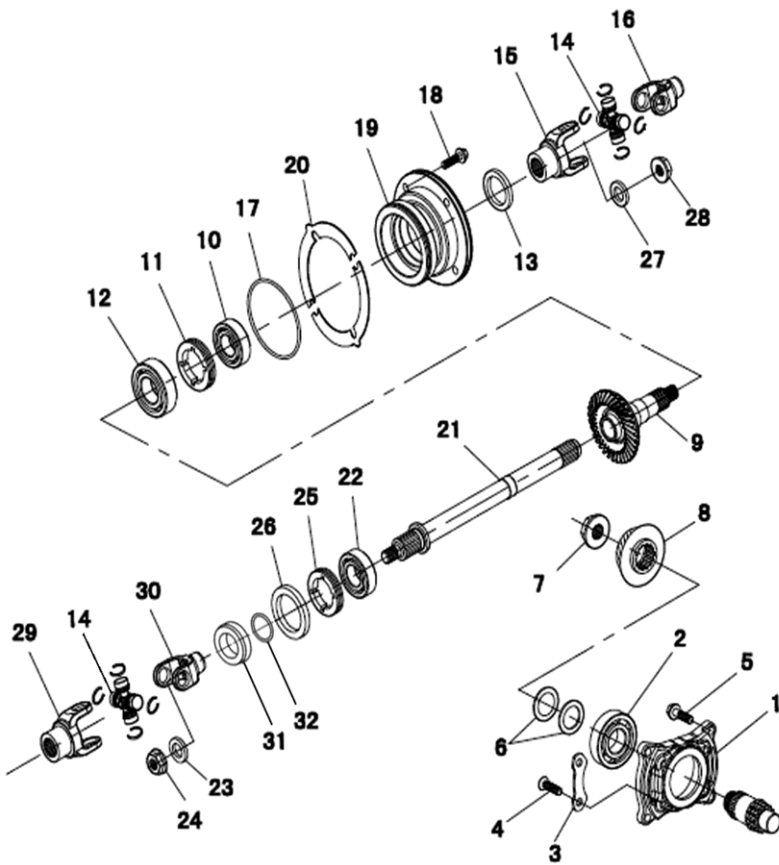
# 2024 BAD BOY 750 ENGINE

CRANKCASE COVERS	ENGINE			
	No	Part Number	Description	QTY
	1	P004000114010000	Left Crankcase Cover	1
	2	P004000114020000	Gasket Left Crankcase Cover	1
	3	P003000115030000	Damper rubber	1
	4	P003000115040000	Plug,Clutch Cover	1
	5	PJ00000908020300	Pin Dowel 10x16	2
	6	BGB5787M630	Bolts Hexagon flange M6x30	9
	7	BGB936	Spring Washer Ø6	7
	8	BGB5787M640	Bolts Hexagon flange M6x40	4
	9	P004000110040000	Strap wire guard plated	1
	10	BGB5787M612	Bolts Hexagon flange M6x12	2
	11	BGB2766028	Bearing 60/28	1
	12	PJ00000911011300	Oil Seal 28x52x8.5	1
	13	P002000931170000	Press Plate,Oil Seal	1
	14	BGB8191M512	Cross recessed countersunk flat head screw M5x12	2
	15	P003000110020000	Cover upper	1
	16	PJ00000912011400	O-Ring 13.4x2.35	1
	17	P0040001151A0000	Inner Clutch Cover assy	1
	18	P004000115110000	Seal Clutch Cover I ,Inner	1
	19	P004000115120000	Seal Clutch Cover II ,Inner	1
	20	BGB5789M632	Bolts Hexagon flange M6x32	7
	21	P0040001152A0000	Clutch Cover Assy,Outer	1
	22	P004000115230000	Seal Clutch Cover,Outer	1
	23	BGB5789M625	Bolts Hexagon flange M6x25	12
	24	BGB5789M616	Bolts Hexagon flange M6x16	2
25	BGB5789M650	Bolts Hexagon flange M6x50	2	
TRANSMISSION GEARS	ENGINE			
	No	Part Number	Description	QTY
	1	P004000222010200	Transmission Main Shaft	1
	2	BGB2766006	Bearing 6006C3	2
	3	PJ00000912013500	O-Ring 26.1x2.4	1
	4	P003000211060000	Bushing secondary CVT	1
	5	PJ00000911011400	Oil Seal 42x55x8	1
	6	BGB2766203	Bearing 6203	1
	7	BGB2766202	Bearing 6202	1
	8	P004000223040000	Chains R gear	1
	9	P004000222600401	Counter Shaft Assembly	1
	10	BGB2766203DLA8	Bearing 6203DLA8	1
	11	BGB2766303	Bearing 6303	1
12	P004000222800100	X Shaft Assembly	1	

# 2024 BAD BOY 750 ENGINE

## DRIVE GEAR ASSEMBLY

## ENGINE



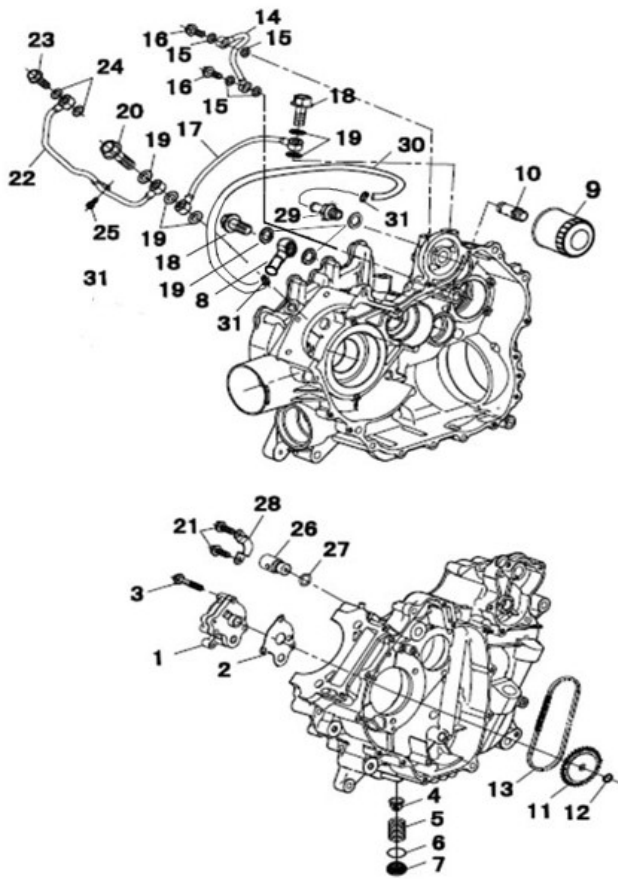
No	Part Number	Description	QTY
1	P004000112110100	X Shaft Bearing Block	1
2	BGB2766305	Bearing 6305	1
3	P003000931160000	Strap x bearing plated	2
4	BGB8192M825	Cross recessed countersunk flat head screw M8x25	4
5	BGB5787M830	Bolts Hexagon flange M8x30	4
6	PJ00000906002500	Washer 26x38x0.4	2
7	PJ00000904021400	Hexagon Flange Nut M22x1	1
8	P004000224010100	Driving bevel gear	1
9	P004000224020000	Driven bevel gear	1
10	BGB2766322	Bearing 63/22	1
11	P004000111120000	Nut M60x1.5	1
12	BGB2766207	Bearing 6207	1
13	PJ00000911011600	Oil Seal 30x46x8	1
14	P010E002241B0022	U-Joint Assy (∅22)	2
14	P016R00224110022	Yoke A(∅22)	1
16	P016F00224120022	Yoke B(∅20)	1
17	PJ00000912017300	O-Ring 88x2.8	1
18	BGB907414M830	Screw And Washer Assy M8x30	4
19	P004000111110000	Y Shaft Bearing Block	1
20	P004000111140100	Spacer 0.1,Bevel Gear	2
20	P004000111140300	Spacer 0.3,Bevel Gear	2
20	P004000111140500	Spacer 0.5,Bevel Gear	2
20	P004000111140600	Spacer 0.6,Bevel Gear	2
21	P004000224040100	Y Driveshaft	1
22	BGB2766205	Bearing 6205	1
23	PJ00000906001400	Washer 14.5x32x5	1
24	BGB61872M14	Nut Lock M14x1.5	1
25	P003000111130000	Nut M55	1
26	PJ00000911012300	Oil Seal 44x60x7	1
27	PJ00000906003200	Washer 16.5x28x4	1
28	BGB61872M16	Nut Lock M16x1.5	1
29	P016F00224120022	Yoke B(∅20)	1
30	P033F00224110022	Yoke A(∅20)	1
31	P033000224330000	Y shaft Bushing 25 x 44 x 15	1
32	PJ00000912013300	O-Ring 25x2.4	1





## 2024 BAD BOY 750 ENGINE

### OIL PUMP ASSEMBLY



### ENGINE

No	Part Number	Description	QTY
1	P004000151100100	Oil Pump Assy	1
2	P004000151010100	Gasket Oil Pump	1
3	BGB5787M640	Bolts Hexagon flange M6x40	3
4	P002000152030000	Strainer unit oil	1
5	P002000152040000	Spring Filter	1
6	PJ00000912014700	O-Ring 36x3.5	1
7	P002000111070100	Drain plug	1
8	P007000153020001	Bolt banjo	1
9	P003000152000000	Filter Oil assembly	1
10	P003000152010000	Joint, Filter	1
11	P004000151160000	Driven Sprocket, Oil Pump	1
12	BGB894111	Circlip for shaft Ø11	1
13	P004000150030000	Chain, Oil Pump	1
14	P0040001532A0000	Oil Tube Welding assembly A	1
15	PJ00000906010300	Aluminum Washer 8x15x2	4
16	P004000153010000	Bolt banjo M8x25	2
17	P0040001533A0000	Oil Tube Welding assembly B	1
18	P004000153030000	Bolt banjo M14x1.5x28	2
19	PJ00000906010900	Aluminum Washer 14x22x1.5	8
20	P004000153040000	Bolt banjo M14x1.5x50	1
21	BGB5787M614	Bolts Hexagon flange M6x14	2
22	P0160001534A0000	Oil Tube Welding assembly C	1
23	P004000153020000	Bolt banjo M10x1.25x30	1
24	PJ00000906010400	Aluminum Washer 10x16x1.2	2
25	BGB5787M612	Bolts Hexagon flange M6x12	1
26	P0040001536A0000	Oil Pressure Regulating Valve	1
27	PJ00000912010800	O-Ring 10x2.45	1
28	P004000153650000	Strap valve plated	1
29	P003000111050000	Bolt banjo	1
30	P003G00153071830	Rubber Oil Pipe 1830	1
31	PJ00000907300000	Hose Clamp Assy Ø12~Ø20	2



