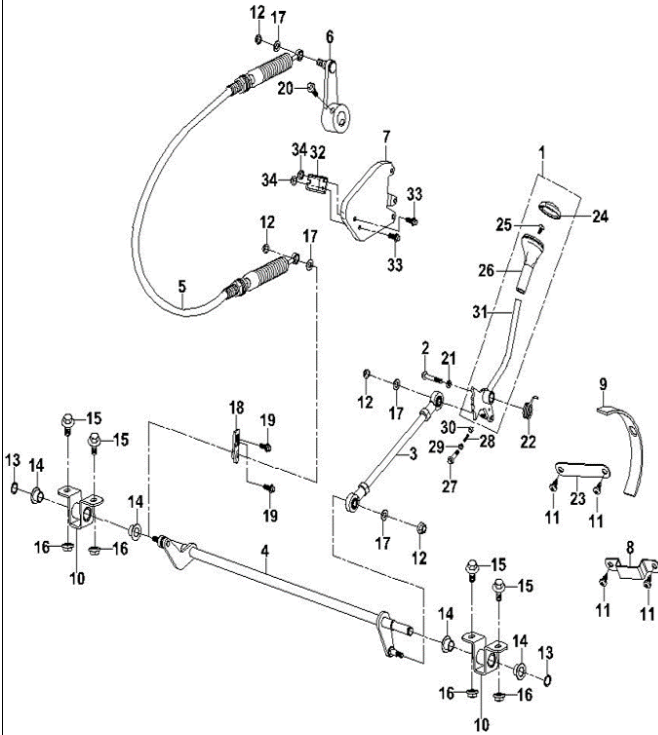


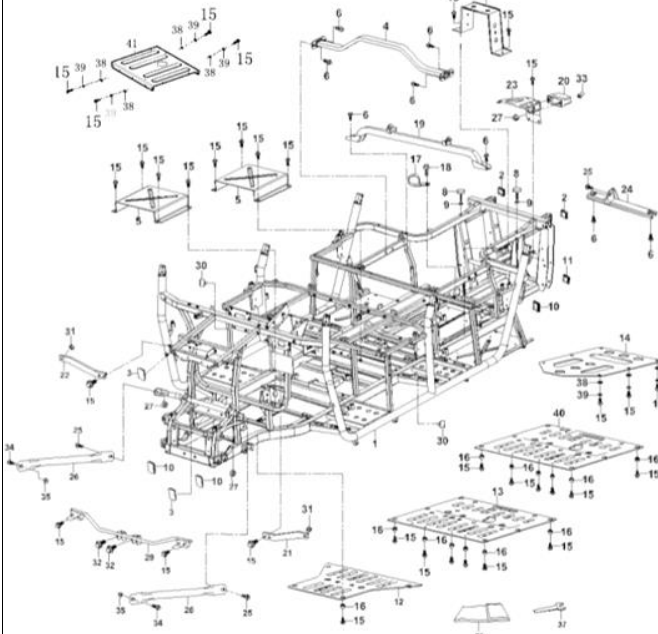
2024 BAD BOY 750 CREW FRAME

GEAR SHIFT ASSEMBLY



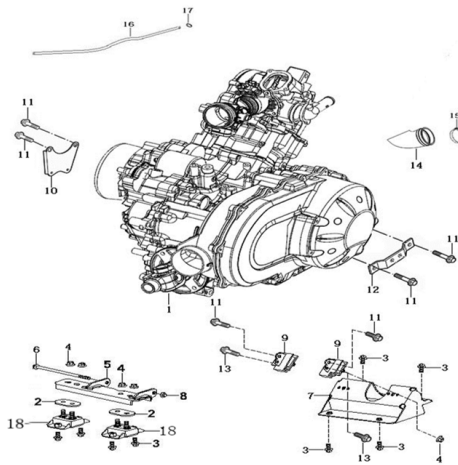
No	Part Number	Description	QTY
1	P309001234100000	Gear Shifter Assembly	1
2	BGB16674M820	Hexagon Flange Bolt M8x20	1
3	P3090012342A0000	Gear Shift Rod I	1
4	P3090012345A0000	Shifting Steering Arm Welded Comp. I	1
5	PJ000002341A0901	Shifting Cable Comp. D	1
6	P3090012332A0000	Gearshift Arm	1
7	P312001515510000	Mounting Board For Shifting	1
8	P309001516350000	Spacing Board For Shifting Cover Plate I	1
9	P309001824180000	Shifting Back Plate	1
10	P309001234800000	Steering Arm I, Shifting	2
11	BGB845S3610	Cross Recessed Pan Head Tapping Screw S3.6x10	4
12	BGB61832M6	Hexagon Flange Locked Nut M6	4
13	BGB8968	Washer 8	2
14	PJ00000924500100	Plastic Bush 12x15.5	4
15	BGB16674M855	Hexagon Flange Bolt M8x55	4
16	BGB61771M8	Nut M8	4
17	BGB9616	Plain Washer 6	4
18	P312001515020000	Reverse Limit Support	1
19	BGB16674M816	Hexagon Flange Bolt M8x16	2
20	BGB16674M830	Hexagon Flange Bolt M6x30	1
21	BGB9718	Plain Washer 8	1
22	PJ00000963000501	Torsion Spring F	1
23	P309001516480000	Spacing Board For Shifting Cover Plate II	1
24	P309001234170000	Gearshift Handle Cap	1
25	PJ00000905200500	Cross Large Plate Head Screw M6x16	1
26	P112000234130000	Gearshift Knob	1
27	BGB16674M1012530	Hexagon Flange Bolt M10x1.25x30	1
28	P002000233020000	Spring 24x1	1
29	BGB6187M10125	Hexagon Flange Locked Nut M10x1.25	1
30	P304001234750000	Shift Pin 10x13.3	1
31	P309001234160000	Shift Mechanism	1
32	P312001517730000	Support For Fixing Shift Rotation	1
33	BGB16674M616	Hexagon Flange Bolt M6x16	2
34	BGB61771M6	Hexagon Flange Lock Nut M6	2

FRAME



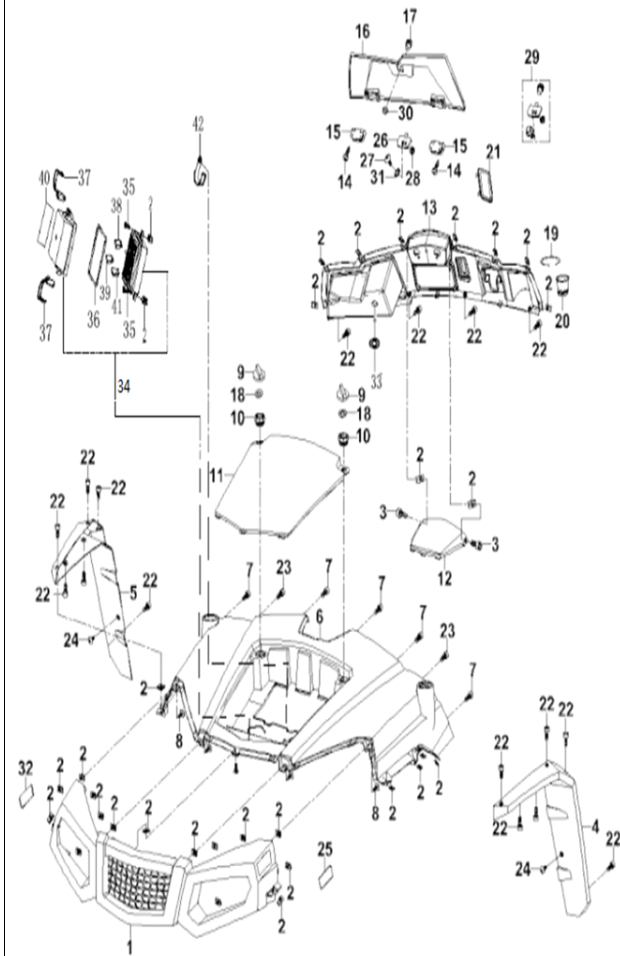
No	Part Number	Description	QTY
1	N/A	Frame Joint Parts	1
2	PJ00000924200000	Plastic Plug 25x40	2
3	PJ00000924020100	Plastic Plug 30x30	2
4	P309001515540000	Seat Support Plate I	1
5	P309001515550000	Support Plate, Footrest	2
6	BGB16674M816	Hexagon Flange Bolt M8x16	8
7	P309001515560000	Support Plate, Batterybox	1
8	PJ00000931550000	Adjust Damping Washer	2
9	BGB61771M8	Nut M8	2
10	PJ00000924200100	Plastic Plug 60x40	4
11	PJ00000924020200	Plastic Plug 40x40	2
12	P112000825050000	Front Bottom Protective Plate	1
13	P116000825060000	Middle Bottom Protective Plate	1
14	P309001515570000	Protective Plate, Rear Axle	1
15	BGB16674M616	Hexagon Flange Bolt M6x16	43
16	P115000515240000	Cap Washer	13
17	P116000190150000	Water Pipe Clip III	1
18	BGB16674M616	Hexagon Flange Bolt M6x16	1
19	P309101515900000	Lock Catch Fixed Support, Safety Belt	1
20	P31100135250000	Rear License Plate Lamps	1
21	P309002515030000	Light Mounting Support I	1
22	P309002515040000	Light Mounting Support II	1
23	P309001515370000	License Mounting Plate	1
24	P309101519210000	Mounting Bracket I, Rear Axle	1
25	BGB16674M1012520	Hexagon Flange Bolt M10x1.25x20	4
26	P309001513010000	Bumper Holder I	2
27	BGB61771M6	Hexagon Flange Nut M6	2
28	BGB6187M10125	Hexagon Flange Locked Nut M10x1.25	2
29	P309001515030000	Light Mounting Support I	1
30	PJ00000931151000	Rubber Cushion 10x20	2
31	PJ00000931250000	Damping Pad 7x2	2
32	BGB16674M616	Hexagon Flange Bolt M6x16	2
33	PJ00000384310000	Position Lamp 12V;W5W	1
34	BGB16674M820	Hexagon Flange Bolt M8x20	2
35	BGB61771M8	Nut M8	2
36	P115000891000000	Tool Kit	1
37	P116000891020000	Shock Absorber Adjusting Wrench	1
38	BGB9616	Plain Washer 6	10
39	BGB936	Spring Washer 6	10
40	P309101825060000	Middle Bottom Protective Plate	1
41	P315001519200001	Insulation Board Assy,Rear Axle	1
42	P315001891020000	Shock Absorber Adjusting Wrench	1

ENGINE MOUNTS



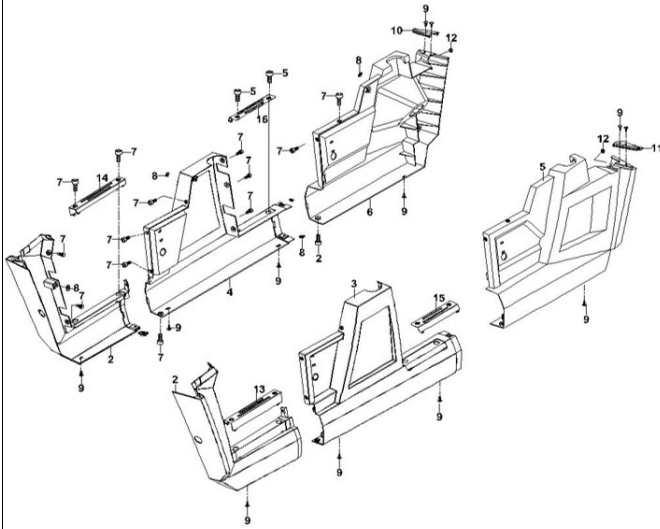
No	Part Number	Description	QTY
1	E016000100001601	Engine Assy (750CC)	1
2	P116000001200000	Vibration Absorbing Gasket	1
3	PJ00000903480400	Hexagon Flange Bolt & Washers M10x26	2
4	BGB6187M10125	Hexagon Flange Locked Nut M10x1.25	8
5	P309001002100000	Suspension Support I	6
6	BGB16674M10125180	Hexagon Flange Bolt M10x1.25x180	1
7	P309001002200000	Suspension Support II	1
8	BGB6187M10125	Hexagon Flange Locked Nut M10x1.25	1
9	P1150000070A0000	Rear Suspension Support, Engine	1
10	P115000002400000	Suspension Support IV	2
11	BGB16674M816	Hexagon Flange Bolt M8x16	1
12	P115000002300000	Suspension Support III	6
13	BGB16674M616	Hexagon Flange Bolt M6x16	1
14	P307001006100000	Air-Out Joint, Fan	2
15	PJ00000907301100	Locking Hoop L	1
16	P107000237010000	Breather Pipe, Gearbox	1
17	PJ000009071001000	Elastic Hoop B	1
18	P1160000030A0000	Shock Absorber, Engine	1

FRONT HOOD & DASHBOARD



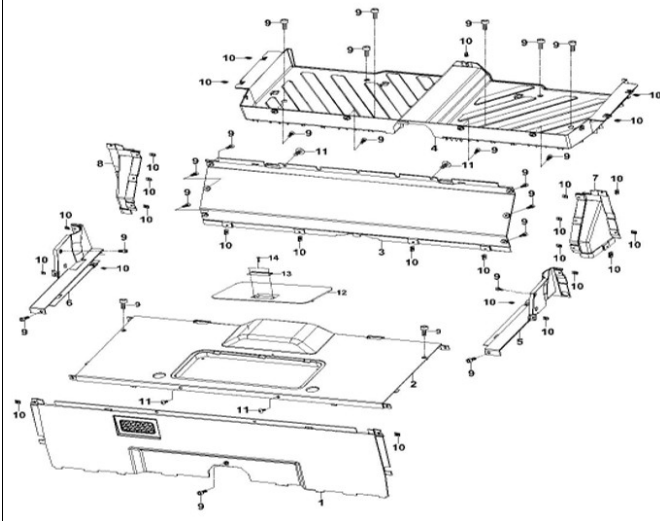
No	Part Number	Description	QTY
1	P309001822010000	Mounting Plate, Headlight	1
2	PJ00000903500300	Nut Holder M6x2	33
3	PJ00000902250000	Socket Hexagon Screw M6x12	4
4	P309001822070000	Left Fender, Front Cover I	1
5	P309001822100000	Right Fender, Front Cover I	1
6	P30900182208000143	Front Panel : Orange	1
	P3090018220800019D	Front Panel : HTC Camo	
7	PJ00000902250100	Socket Hexagon Screw M6x16	6
8	PJ00000902500500	Cross Large Plate Head Screw M6x16	5
9	P311001822110000	Knob Switch	2
10	PJ00000933500000	Rubber Sleeve, Knob Switch	2
11	P30900182209000043	Front Panel Cover Plate: Orange	1
	P3090018220900009D	Front Panel Cover Plate: HTC Camo	
12	P309001823080000	Dash Cover	1
13	P309001823010001	Dash Board	1
14	BGB845ST3910	Cross Recessed Pan Head Tapping Screw S13.9x10	4
15	P1150008230A0000	Plastic Hinges, Sundry Box	2
16	P309001823030000	Sundry Box Cover	1
17	P115000895110000	Lock Catch, Sundry Box	1
18	PJ00000906050700	Plain Washer 15x22x1.5	2
19	PJ00000964000000	Clip, Cup Sink	1
20	P117000823090000	Boot, Cup Sink	1
21	P309001515010100	Gearshift Cap	1
22	PJ00000902250100	Socket Hexagon Screw M6x16	6
23	PJ00000902250400	Socket Hexagon Screw M6x20	2
24	PJ00000905200400	Cross Large Plate Head Screw M6x12	2
25	P309001093110000	Left-Front Reflector Plate	1
26	P115000895130000	Glove Compartment Locking Plate	1
27	PJ00000905200100	Cross Large Plate Head Screw M5x16	2
28	BGB61771M5	Hexagon Flange Nut M5	2
29	P115000895100000	Glove Compartment Locker	1
30	P115000895120000	Glove Compartment Nut	1
31	BGB9615	Plain Washer 5	2
32	P309001093120000	Right-Front Reflector Plate	1
33	PJ00000931250500	Cylindrical Cushion Pad 10x2.5	1
34	PJ00000383200010	Fuse Box semi-finished product (Cover & Seat Only)	1
35	BGB16674M620	Bolt Hexagon Flange Head M6x20	2
36	P318001173130000	Seal Gasket I	1
37	P315001172050000	Crimp Assembly	2
38	P318001346200000	Flash Apparatus	1
39	P318001377250000	Supplementary Relay	2
40	PJ00000383210010	Safety Box Lable	1
41	P318001377200000	Cutout Relay	3
42	P309001190150000	Wire Hook	1
43	PJ00000383210022	Information Sheet	1

SIDE COVER



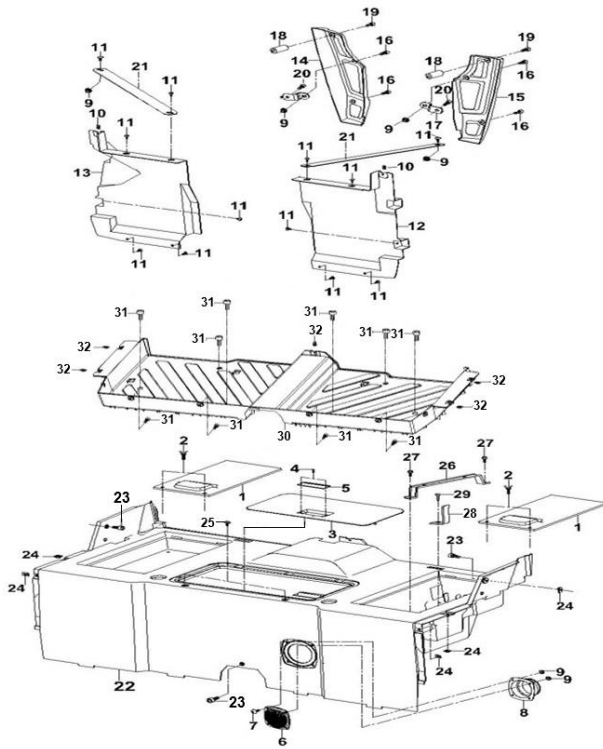
No	Part Number	Description	QTY
1	P309101824060000	Left Seat Board I	1
2	P309101824120000	Right Seat Board I	1
3	P309101824160000	Left Seat Board II	1
4	P309101824170000	Right Seat Board II	1
5	P309101824480000	Left Seat Board III	1
6	P309101824490000	Right Seat Board III	1
7	PJ00000902250100	Socket Hexagon Screw M6x16	24
8	PJ00000903500300	Nut Holder M6x2	12
9	PJ00000905200500	Cross Large Plate Head Screw M6x16	12
10	PJ00000933550300	Anti-Backlash Mat (R), Bed	1
11	PJ00000933550200	Anti-Backlash Mat (L), Bed	1
12	BGB61771M6	Hexagon Flange Nut M6	4
13	P309101515170100	Decorative Sheet, Front Left Backplate	1
14	P309101515180100	Decorative Sheet, Front Right Backplate	1
15	P309101515190100	Decorative Sheet, Rear Left Backplate	1
16	P309101515200100	Decorative Sheet, Front Right Backplate	1

SEAT BASE & FLOOR BOARD



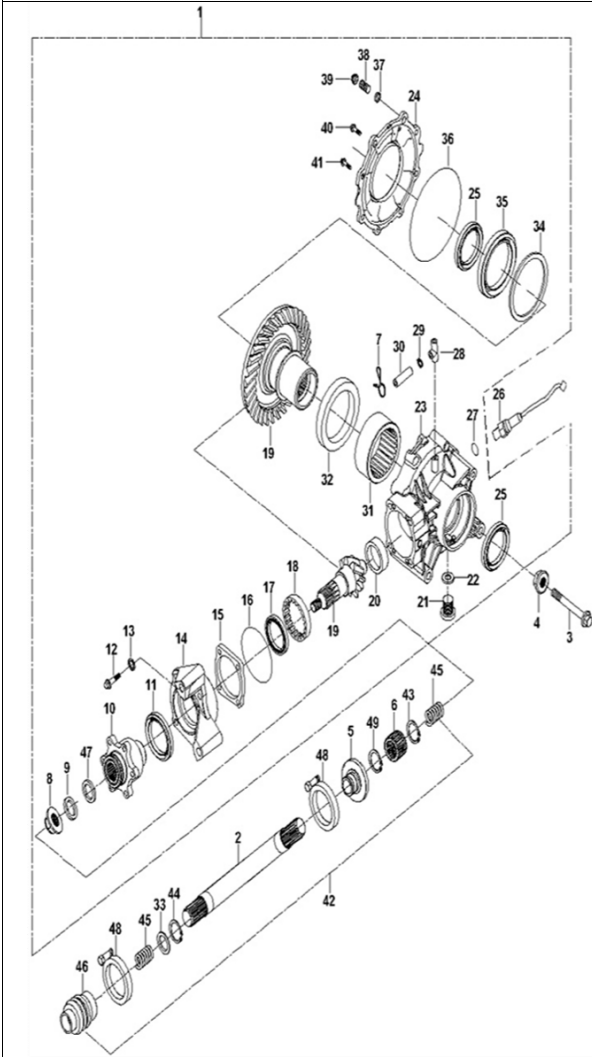
No	Part Number	Description	QTY
1	P309101824050000	Front Board I, Seat	1
2	P309101824230000	Front Board II, Seat	1
3	P309101824400000	Front Board V, Seat	1
4	P309101824210000	Footrest	1
5	P309101824200000	Left Seat Board	1
6	P309101824070000	Right Seat Board	1
7	P309101824240000	Front Board III, Seat	1
8	P309101824250000	Front Board IV, Seat	1
9	PJ00000902250100	Socket Hexagon Screw M6x16	23
10	PJ00000903500300	Nut Holder M6x2	23
11	PJ00000905200500	Cross Large Plate Head Screw M6x16	4
12	P309001829100000	Debugging Box Board	1
13	P312001515620000	Holder, Debugging Box	1
14	BGB845ST3913	Cross Recessed Pan Head Tapping Screw St3.9x13	2

INNER PANELS



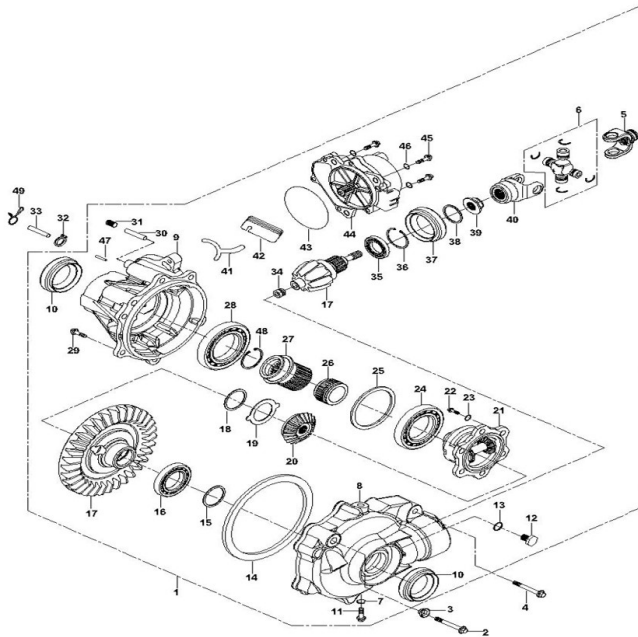
No	Part Number	Description	QTY
1	P309001829060000	Battery Cover	2
2	PJ00000902400000	Butterfly Type Bolt M6x20	4
3	P309001829100000	Debugging Box Board	1
4	BGB845S13913	Cross Recessed Pan Head Tapping Screw St3.9x13	2
5	P312001515620000	Holder, Debugging Box	1
6	P311001824140000	Primary Filter Net	1
7	PJ00000905200600	Cross Large Plate Head Screw M6x20	4
8	P312001824190000	Clutch Intake Pipe	1
9	BGB61771M6	Hexagon Flange Nut M6	2
10	PJ00000903500300	Nut Holder M6x2	33
11	PJ00000905200500	Cross Large Plate Head Screw M6x16	12
12	P309001825040000	Rear Board II, Seat	1
13	P309001825030000	Rear Left Board I, Seat	1
14	P117000828030000	Rear Protecting Board I	1
15	P117000828040000	Rear Protecting Board II	1
16	PJ00000902250100	Socket Hexagon Screw M6x16	6
17	P309001515630000	Mounting Support, Rear Protecting Board	2
18	PJ00000929000700	Bushing 7x15x15	2
19	PJ00000902250500	Socket Hexagon Screw M6x30	2
20	BGB16674M616	Hexagon Flange Bolt M6x16	2
21	P309001516330000	Support, Side Board	2
22	P309001824050000	Front Board I, Seat	1
23	PJ00000902250100	Socket Hexagon Screw M6x16	3
24	PJ00000903500300	Nut Holder M6x2	6
25	PJ00000905200500	Cross Large Plate Head Screw M6x16	2
26	P309001515210000	Pressing Plate, Battery	1
27	BGB16674M616	Hexagon Flange Bolt M6x16	2
28	P303001511250000	Support, Starting Relay	1
29	BGB845S14213	Cross Recessed Pan Head Tapping Screw St4.2x13	1
30	P309101824210000	Footrest	1
31	PJ00000902250100	Socket Hexagon Screw M6x16	23
32	PJ00000903500300	Nut Holder M6x2	23

REAR GEARCASE



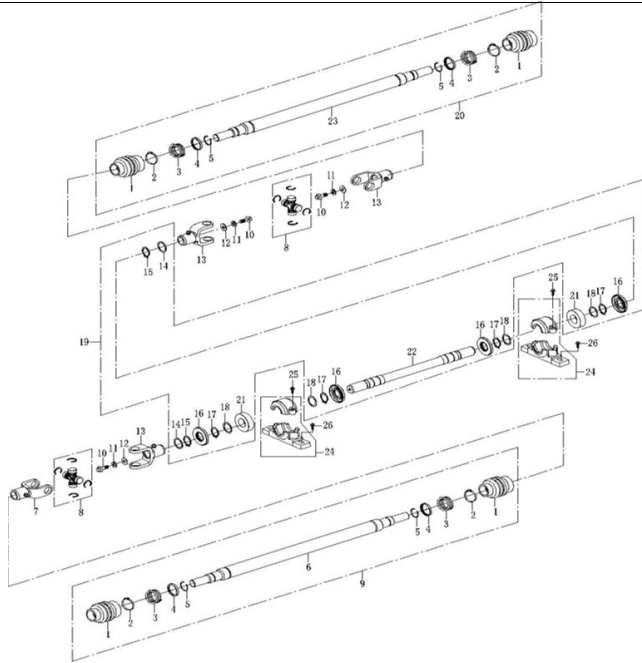
No	Part Number	Description	QTY
1	P50101027200000	Rear Reducer Assy	1
2	PJ00000252001200	Rear Drive Shaft M	1
3	BGB16674M10125120	Bolt M10x1.25x120	2
4	BGB6187M10125	Hexagon Flange Locked Nut M10x1.25	2
5	PJ00000964001300	Steel Clip 10	1
6	PJ00000272150000	O Ring Gasket, Rear Driving Gear	1
7	PJ00000251021400	Rubber Dust-Cover Q	1
8	BGB6187M12125	Hexagon Flange Lock Nut M12x1.25	1
9	P115000272140000	Washer, Drive Shaft	1
10	PJ00000254000601	Fork G	1
11	P115000911160000	Oil Seal 61x35x9	1
12	BGB16674M835	Hexagon Flange Bolt M8x35	4
13	BGB9718	Plain Washer 8	4
14	P115000272160000	Mount Bracket, Parking Brake	1
15	PJ00000273001300	Adjustment Washer 78x93x0.1	1
16	P115000272410000	O-Ring Gasket 3, 1x63.8	1
17	BGB2766305	Deep Groove Ball Bearing 6305	1
18	P115000272180000	Sleeve	1
19	P115000272310000	Drive & Driven Gears Assy, Rear Axle	1
20	P115000929020000	Needlebearing 22x30x13	1
21	BGB16674M1012516	Hexagon Flange Bolt M10x1.25x16	1
22	P115000272630000	Oil Drain Plug O-Ring 1.5x9	1
23	P115000272020000	Rear Axle Gear Box	1
24	P115000272010000	Rear Axle Gear Box Cover	1
25	P118000911400000	Oilseal 70x90x9	2
26	P115000363000001	Speed Sensor	1
27	BGB345211918	O-Ring Gasket, 19x1.8	1
28	P115000272230000	Air Tap, Rear Axle	1
29	PJ00000907100400	Elastic Hoop E	1
30	PJ00000274000100	Vent Pipe B	1
31	P115000929030000	Needlebearing 55x67x20	1
32	PJ00000273000900	Adjustment Gasket 55.2x66.8x1.7	1
33	PJ00000251050000	Washer A, Drive Shaft	2
34	PJ00000273000900	Adjustment Gasket 55.2x66.8x1.7	1
35	BGB27616017	Deep Groove Ball Bearing 16017	1
36	P212001272550000	O-Ring 1.8x150, Rear Differential Case Cover	1
37	P115000272270000	Copper Washer	1
38	P115000272280000	Inner Hexagon Half-Round Screw M8x45	1
39	BGB6187M8	Hexagon Flange Locked Nut M8	1
40	BGB16674M825	Hexagon Flange Bolt M8x25	6
41	BGB16674M1012525	Hexagon Flange Bolt M10x1.25x25	2
42	PJ00000251030100	Compression Spring	2

FRONT GEARCASE



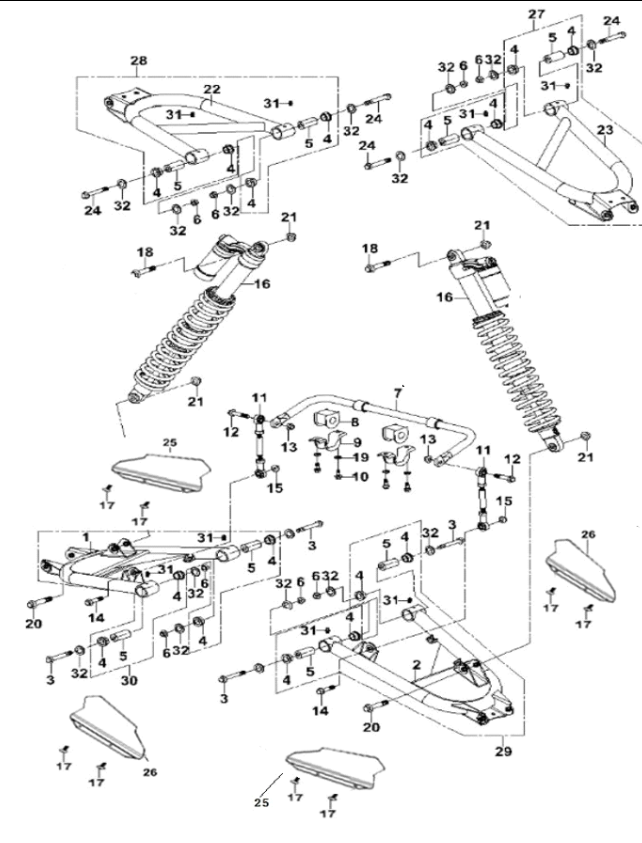
No	Part Number	Description	QTY
1	P11500027100000	Front Differential Assy	1
2	BGB16674M10125142	Hexagon Flange Bolt M10x1.25x142	1
3	BGB6187M10125	Hexagon Flange Locked Nut M10x1.25	1
4	BGB16674M1012530	Hexagon Flange Bolt M10x1.25x30	2
5	PJ00000254000200	Connection Fork C	1
6	PJ00000255000100	Universal Joint22	1
7	P115000272630000	Oil Drain Plug O-Ring 1.5x9	1
8	P115000271040000	Front Axle Gear Box	1
9	P115000271030000	Front Axle Gear Box Cover	1
10	P115000911220000	Front Diff. Output Shaft Oil Seal24x38x8	2
11	BGB16674M1012516	Hexagon Flange Bolt M10x1.25x16	1
12	P115000271520000	Screwm M14x1.5x10	1
13	BJB665912515	O-Ring Gasket 12.5x1.5	1
14	BGB34521140265	O-Ring 140x2.65	1
15	PJ00000273000000	Adjustment Gasket I 50x61.5	1
16	GBG27619946007	Deep Groove Ball Bearing 6007	1
17	P115000271510000	Drive&Driven Gears Assy, Front Axle	1
18	PJ00000273000600	Adjustment Gasket 40x57x0.1	1
19	P115000271080000	Anti-Rotation Gasket	1
20	P115000271110000	Bevel Gear, Front Axle	1
21	P115000271120000	Transfer Gear	1
22	BGB5783M1012516	Hexagon Bolt M10x1.25x16	6
23	BGB97110	Plain Washer 10	6
24	BGB27661912	Deep Groove Ball Bearing 61912	1
25	PJ00000273000300	Adjustment Gasket 71x83x0.1	1
26	P107000271140000	Sliding Sleeve	1
27	P115000271150000	Divide Device Connection	1
28	BGB27616007	Deep Groove Ball Bearing 35x62x9	1
29	BGB16674M825	Hexagon Flange Bolt M8x25	6
30	P115000271160000	Cylindrical Pin 5x75	1
31	P103000271170000	Inner Hexagon Screw With Flat Head M8x10	1
32	PJ00000907100200	Elastic Hoop C	1
33	PJ00000274000000	Pipe A	1
34	P115000929010000	Needle Bearing 15x21x12	1
35	GBG27619946007	Deep Groove Ball Bearing 6007	1
36	BGB8931d062	Circlip D0=62	1
37	P115000911150000	Oil Seal 48x65x9, Driving Tooth	1
38	P115000271390000	O-Ring 14x7 , Driving Tooth	1
39	BGB6187M1415C	Hexagon Flange Locked Nut M14x1.5	1
40	PJ00000254000700	Connection Fork H	1
41	P115000271190000	Fork	1
42	P115000271200000	Spline	1
43	P115000271410000	O-Ring 81x2	1
44	P115000271210000	Transfer Case Assembly	1
45	BGB701M820	Hexagon Socket Cap Screw M8x20	3
46	BGB9718	Plain Washer 8	4
47	P107000271220000	Air Tap,Front Axle	1
48	BGB8931d062	Circlip D0=62	1
49	PJ00000907400000	Steel Clip 10	1

DRIVE SHAFTS



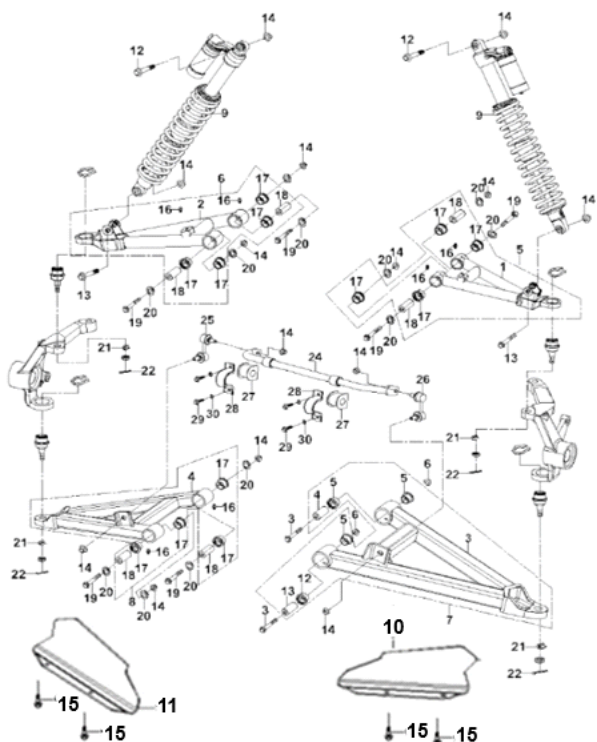
No	Part Number	Description	QTY
1	PJ00000251020200	Rubber Dust-Cover C	4
2	PJ00000251050000	Hoop A	4
3	PJ00000251030100	Pressure Spring B, Drive Shaft	4
4	PJ00000251010000	Gearshift Arm	4
5	BGB8952d025	Washer A, Drive Shaft D0=25	4
6	PJ00000251000600	Front Drive Shaft G	1
7	PJ00000254000200	Connection Fork C	1
8	PJ00000255000100	Universal Joint22	2
9	P312001252300000	Front Drive Shaft Assy, Front Axle	1
10	BGB16674M820	Hexagon Flange Bolt M8x20	3
11	BGB938	Spring Washer8	3
12	BGB52878	Plain Washer 8	3
13	PJ00000254000300	Connection Fork D	3
14	PJ00000251040100	Plain Washer B, Front Drive Shaft	2
15	BGB8941d024	Circlip D0=24	2
16	P501010911390000	Oil Seal 25x42x7	4
17	BGB8941d025	Circlip D0=25	4
18	PJ00000251040100	Plain Washer B, Front Drive Shaft	4
19	P312001252200000	Middle Drive Shaft Assy, Front Axle	1
20	P115000252100000	Front Drive Shaft Assy, Front Diff.	1
21	BGB27662052RS	Ball Bearing 6205-2RS	2
22	PJ00000251000800	Front Drive Shaft H	1
23	PJ00000251000200	Front Drive Shaft C	1
24	P311001251100000	Drive Bearing Socket	2
25	BGB16674M620	Hexagon Flange Bolt M6x20	4
26	BGB16674M825	Hexagon Flange Bolt M8x25	4

REAR SUSPENSION



No	Part Number	Description	QTY
1	P3091015545A0001	Rear Right Lower Swing Arm	1
2	P3091015535A0001	Rear Left Lower Swing Arm	1
3	BGB16674M1012578	Hexagon Flange Bolt M10x1.25x78	4
4	PJ00000925000201	Bushing 23x28	16
5	PJ00000929009400	Cylindrical Bush 10.3x23x49.4	8
6	BGB6187M10125	Hexagon Flange Locked Nut M10x1.25	8
7	P3090015574A0000	Rear Balancing Lever	1
8	PJ00000931400101	Bush 20x45	2
9	P115000515900000	Mounting Cap, Cushion Rubber	2
10	BGB16674M820	Hexagon Flange Bolt M8x20	4
11	P309001557500000	Rear Balancing Lever	2
12	BGB16674M1012545	Hexagon Flange Bolt M10x1.25x45	2
13	BGB6187M10125	Hexagon Flange Locked Nut M10x1.25	2
14	BGB16674M1012540	Hexagon Flange Bolt M10x1.25x40	2
15	BGB6187M10125	Hexagon Flange Locked Nut M10x1.25	2
16	PJ00000551004000	Rear Shock Absorber - White Spring	2
16	PJ00000551004010	Rear Shock Absorber - Orange Spring	2
17	BGB16674M616	Hexagon Flange Bolt M6x16	8
18	BGB16674M1212565	Hexagon Flange Bolt M12x1.25x65	2
19	BGB938	Spring Washer 8	4
20	BGB16674M1212560	Hexagon Flange Bolt M12x1.25x60	2
21	BGB6187M12125	Hexagon Flange Lock Nut M12x1.25	4
22	P3091015540A0000	Rear Right Upper Swing Arm	1
23	P3091015530A0000	Rear Left Upper Swing Arm	1
24	BGB16674M1012578	Hexagon Flange Bolt M10x1.25x78	4
25	P311001515650310	Swing Arm Shield II (Blank Black)	2
26	P311001515640310	Swing Arm Shield I (Blank Black)	2
27	P309101553000000	Rear Left Upper Swing Arm	1
28	P309101554000000	Rear Right Upper Swing Arm	1
29	P309101553500000	Rear Left Lower Swing Arm	1
30	P309101554500000	Rear Right Lower Swing Arm	1
31	P115000521080000	Nipple, Swim Arm	8
32	P115000521170000	Dust-Proof Bracket I	16

FRONT SUSPENSION

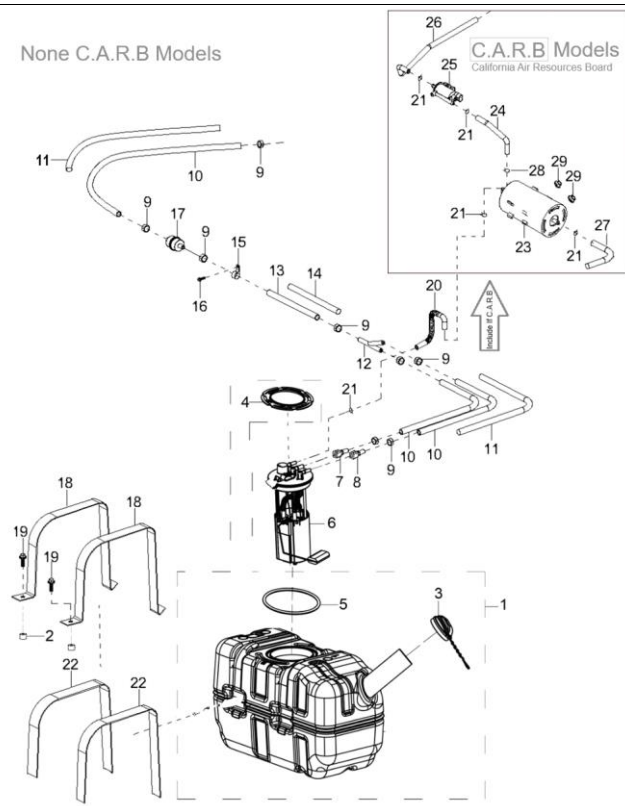


No	Part Number	Description	QTY
1	P3151015230A0000	Front Left Upper Swing Arm	1
2	P3151015240A0000	Front Right Upper Swing Arm	1
3	P3091015235A0000	Front Left Lower Swing Arm	1
4	P3091015245A0000	Front Right Lower Swing Arm	1
5	P315001523000000	Front Left Upper Swing Arm	1
6	P315001524000000	Front Right Upper Swing Arm	1
7	P309101523500000	Front Left Lower Swing Arm	1
8	P309101524500000	Front Right Lower Swing Arm	1
9	PJ00000521004000	Front Shock Absorber - White Spring	2
	PJ00000521004010	Front Shock Absorber - Orange Spring	
10	P311001515640310	Swing Arm Shield I (Blank Black)	1
11	P311001515640310	Swing Arm Shield II (Blank Black)	1
12	BGB16674M1012555	Hexagon Flange Bolt M10x1.25x55	2
13	BGB16674M1012555	Hexagon Flange Bolt M10x1.25x55	2
14	BGB1674M10125	Hexagon Flange Locked Nut M10x1.25	14
15	BGB16674M616	Hexagon Flange Bolt M6x16	4
16	P115000521080000	Nipple, Swim Arm	8
17	PJ00000925000201	Bushing 23x28	16
18	PJ00000929009400	Cylindrical Bush 10.3x23x49.4	8
19	BGB16674M1012578	Hexagon Flange Bolt M10x1.25x78	8
20	P115000521170000	Dust-Proof Bracket I	16
21	BGB9312	Spring Washer 12	4
22	BGB912530	Cotter Pin 2.5x30	4
23	PJ000005250A0402	Ball Joint I, Steering Knuckle	4
24	P3090015274A0000	Anti-Roll Bar, Front Suspension	1
25	P115000557450000	Right Ball Joint, Balancing Lever	1
26	P115000557440000	Left Ball Joint, Balancing Lever	1
27	PJ00000931400100	Bush 20x45	2
28	P115000515900000	Mounting Cap, Cushion Rubber	2
29	BGB16674M820	Hexagon Flange Bolt M8x20	4
30	BGB938	Spring Washer 8	4

FUEL TANK ASSEMBLY (EPA & C.A.R.B.)

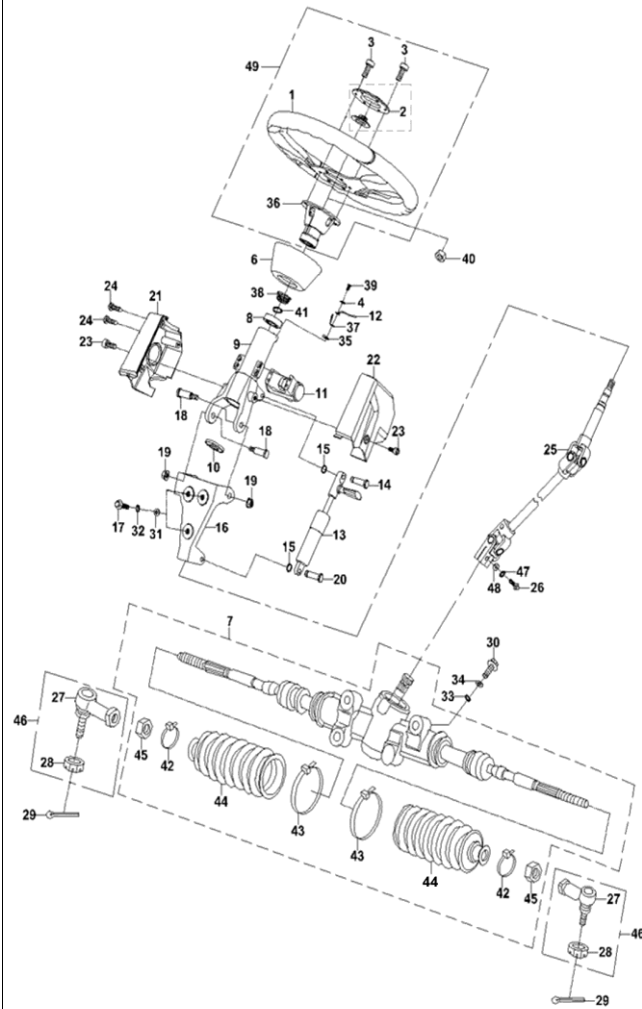
None C.A.R.B Models

C.A.R.B Models
California Air Resources Board



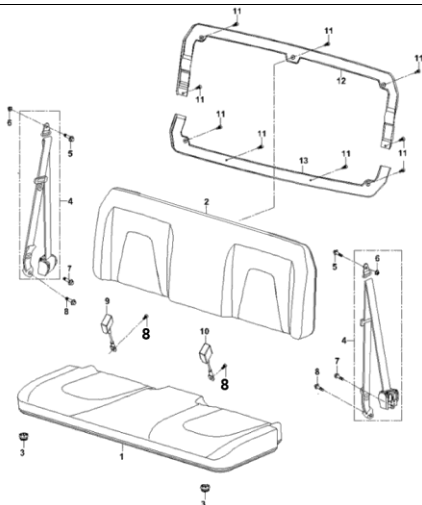
No	Part Number	Description	QTY
1	P115H00811002000	Fuel Tank Assembly	1
2	PJ00000929006700	Bushing 8.5x20x4	2
3	P315001811400000	Fuel Tank Cap	1
4	P301001811520000	Fuel Pump Cover / Chuck (Metal)	1
5	PJ00000933800400	Fuel Pump Gasket E	1
6	P309001395000000	Fuel Pump	1
7	P116000165210000	Oil-Out Plug	1
8	P116000165220000	Fuel Inlet Plug	1
9	PJ00000907200000	Clamp A	6
10	P110000165110000	Injection Line I (8x14x330)	2
11	P115H00165250000	Aluminum Foil Insulation Bellows II (14x17x300)	2
12	P116000165230000	Tee Joint, Fuel Tube	1
13	P318001165120000	Injection Line II	1
14	P115H00165260000	Heat-Insulated Bellow III (8x14x330)	1
15	P315001444590000	Line Clamp	1
16	BGB16674M616	M6 Hex Flagon Bolt M6x16	1
17	P116000165350000	Fuel Filter	1
18	P115000515820000	Pressing Plate I, Fuel Tank	2
19	BGB16674M830	Hexagon Flange Bolt M8x30	2
20	P115K00166010000	Breather Pipe (7x11x700)	1
	P311001166070000	Carbon Tank Intake Pipe (CARB UNITS ONLY)	
21	PJ00000907100300	Elastic Hoop D	1
		Elastic Hoop D (CARB UNITS ONLY)	5
22	P115000811540000	Cargo Bed Rubber	4
23	P318001811300001	Carbon Tank; Charcoal Canister (CARB UNITS ONLY)	1
24	P323001166080000	Carbon Tank Outlet Pipe (CARB UNITS ONLY)	1
25	P318001379350000	Valve EGR (CARB UNITS ONLY)	1
26	P113E00166110000	Solenoid Valve Outlet Pipe (CARB UNITS ONLY)	1
27	P301001193130000	Venti Tube (CARB UNITS ONLY)	1
28	PJ00000907100500	Elastic Hoop N	1
29	GBT1832M6	Hexagon Flange Face Locking Nut w/ Non-Metallic Insert M6	2

STEERING ASSEMBLY



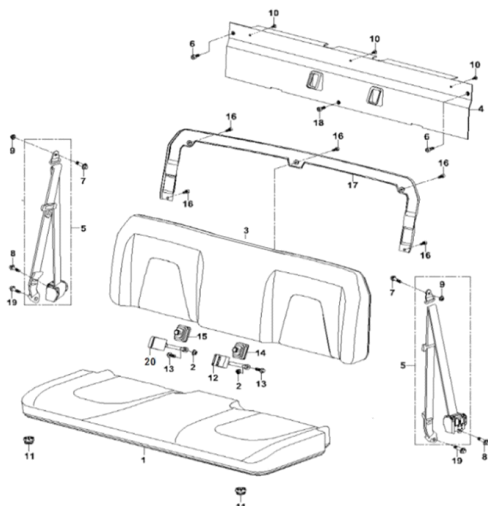
No	Part Number	Description	QTY
1	P311001611100000	Steering Wheel Assy	1
2	P311001346140000	Steering Wheel Cap (Horn Logo)	1
3	70152	Socket Hexagon Screw M5x20	6
4	P311001346110000	Insulation Plate, Horn I	1
	NA	NA	0
6	P311001823050000	Lower Cover I	1
7	P315001641000000	Steering Gear Assy	1
8	BGB27660032RZ	Deep Groove Ball Bearing 6003-2RZ	1
9	P311001612200000	Direction Driveshaft Assy	1
10	BGB2766805	Deep Groove Ball Bearing 6805	1
11	P315001372000000	Ignition Switch Assy	1
12	P311001346130000	Ground Wire (Horn)	1
13	P30900162300102	Hydraulic Spring Assy	1
14	PJ00000929710100	Pin 8x34	1
15	BGB8965	Washer 5	2
16	P311001612100000	Steering Column	1
17	BGB16674M1012516	Hexagon Flange Bolt M10x1.25x16	3
18	PJ00000902160000	Step Bolt M6x10x2.5x30.5	2
19	BGB6187M6	Hexagon Flange Locked Nut M6	2
20	PJ00000929710200	Pin 8x45	1
21	P312001823070000	Lower Cover III, Ignition Switch	1
22	P312001823060000	Steering Column Cover II	1
23	PJ00000902250000	Socket Hexagon Screw M6x12	2
24	BGB845ST3913	Cross Recessed Pan Head Tapping Screw S13.9x13	3
25	P309001621300000	Direction Driveshaft Assy	1
26	BGB16674M830	Hexagon Flange Bolt M8x30	1
27	P311001642100000	Steering Gear Ball Joint	2
28	BGB9459M1415	Hexagon Thin Slotted Nut M14x1.5	2
29	BGB91230	Pin 2x30	2
30	BGB16674M1012535	Hexagon Flange Bolt M10x1.25x35	4
31	PJ00000906000700	Gasket 10x32x5	3
32	BGB9310	Spring Washer 10	3
33	BGB97110	Plain Washer 10	2
34	BGB9310	Spring Washer 10	2
35	P311001346120000	Insulation Plate, Horn II	1
36	P311001611300000	Connecting Cap, Steering Wheel	1
37	P311001346150000	Connecting Plate, Horn	1
38	P311001346170000	Spring, Horn	1
39	NA	NA	-
40	BGB6187M12125	Hexagon Flange Lock Nut M12x1.25	1
41	BGB8941d017	Circlip D0=17	1
42	PJ00000907100700	Elastic Hoop H	2
43	P115000641060000	Clamp	2
44	P115000641030000	Rubber Boot I	2
45	BGB6107M14125C	Hexagon Nut M14x1.25	2
46	P311001642000000	Steering Gear Ball Joint	2
47	BGB938	Spring Washer8	1
48	BGB9718	Plain Washer 8	1
49	P311001611000000	Steering Wheel Assy	1

FRONT SEAT



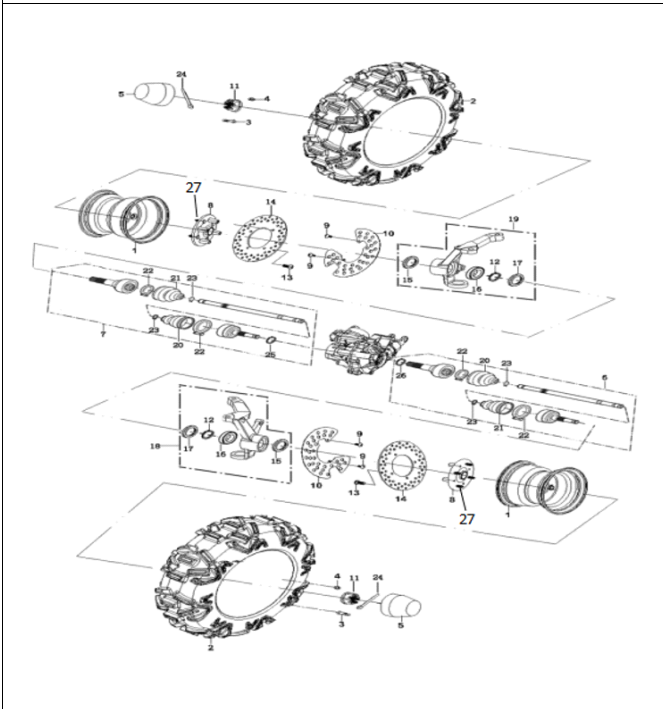
No	Part Number	Description	QTY
1	P309001711100100	Seat Assy I	1
2	P309001712100100	BB Backrest Assy	1
3	PJ00000933400001	Rubber Socket, Seat Latch	2
4	P312001751100000	Seat Belt Assembly	2
5	PJ00000902100500	Hexagon Step Bolt With Pan M10x14x5x25	2
6	BGB6187M10125	Hexagon Flange Locked Nut M10x1.25	2
7	BGB16674M1012520	Hexagon Flange Bolt M10x1.25x20	2
8	PJ00000902270200	Inner Hexagon Cone Step Bolt M10x17-14x8	4
9	P312401751200000	Lock Catch I, Seat Belt Buckle	1
10	P309101751300000	Lock Catch, Seat Belt Buckle	1
11	PJ00000902250100	Socket Hexagon Screw M6x16	9
12	P309001826070000	Backrest Holder	1
13	P309101826090000	Backrest Lower Holder	1

SEAT ASSEMBLY



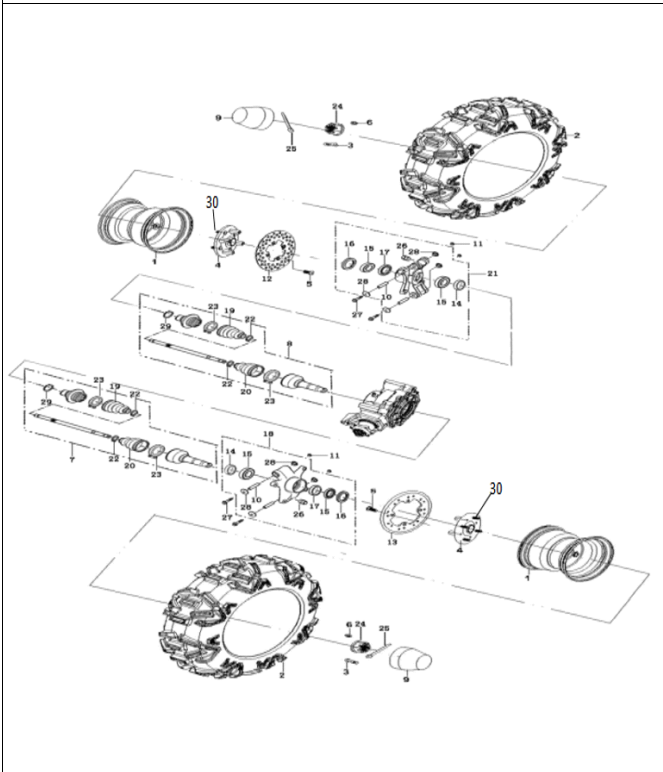
No	Part Number	Description	QTY
1	P309001711100100	Seat Assy I	1
2	BGB6187M10125	Hexagon Flange Locked Nut M10x1.25	2
3	P309001712100100	BB Backrest Assy	1
4	P309001826030000	Backrest Backplate I	1
5	P312001751100000	Safety Belt	2
6	PJ00000902250100	Socket Hexagon Screw M6x16	6
7	PJ00000902100600	Hexagon Step Bolt With Pan M10x1.25x25-14x9	2
8	BGB16674M1012520	Hexagon Flange Bolt M10x1.25x20	2
9	BGB6187M10125	Hexagon Flange Locked Nut M10x1.25	2
10	PJ00000905200500	Cross Large Plate Head Screw M6x16	3
11	PJ00000933400001	Rubber Socket, Seat Latch	2
12	P312001751200000	Lock Catch I, Safety Belt	1
13	BGB16674M1012520	Hexagon Flange Bolt M10x1.25x20	2
14	PJ00000932600000	Left Sheath, Safety Belt Socket	1
15	PJ00000932600100	Right Sheath, Safety Belt Socket	1
16	PJ00000902250100	Socket Hexagon Screw M6x16	6
17	P309001826070000	Backrest Holder	1
18	PJ00000902250000	Socket Hexagon Screw M6x12	1
19	PJ00000902100600	Hexagon Step Bolt With Pan M10x14x9x25	2
20	P312001751300000	Safety Belt Lock Com.	1

FRONT AXLE ASSEMBLY



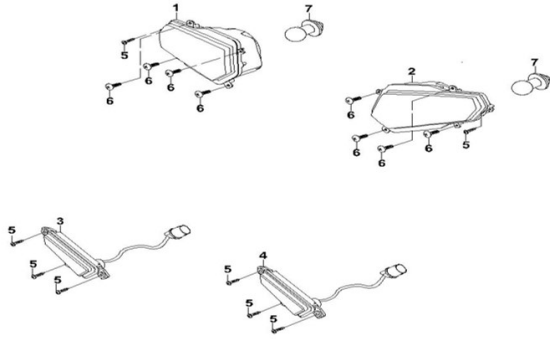
No	Part Number	Description	QTY
1	PJ00000411223501	Front Hub Assy (F127)	2
2	PJ00000411216100	Front Tire (Wanda AT27x9-14)	2
3	P1150004113A0000	Valve Core	2
4	PJ00000903450200	Nut M10x1.25	8
5	PJ00000410040601	Wheel Cap G	2
6	PJ00000261000900	Front Left Half Shaft K	1
7	PJ00000262000800	Front Right Half Shaft J	1
8	P117000461100000	Mounting Bracket Assy, Front Hub	2
9	PJ00000905200400	Cross Plate Head Tapping Screw M6x12	4
10	P315001515610000	Protective Cover , Front Brake Disc	2
11	BGB9459M2415C	Hexagon Thin Slotted Nut M24x1.5	2
12	BGB8931d060	Circlip D0=60	2
13	P115000904010000	Inner Hexagon Cone Step Bolt M8	8
14	P315001444530000	Front Disc Brake Plate	2
15	P115000911190000	Outer Oil Seal, Front Knuckle 38x55x7	4
16	P311001521060000	Bearing DAC 30x60x37	2
17	P311001911230000	Inner Oil Seal, Frontknuckle 38x60x7	2
18	P115N00527100000	Front Left Knuckle Assy	1
19	P115N00527200000	Front Right Knuckle Assy	1
20	PJ00000260020100	Boot Sheath B	2
21	PJ00000260020200	Boot Sheath C	2
22	PJ00000907200300	Hoop D	4
23	PJ00000907200100	Hoop B	4
24	BGB913250	Cotter Pin 3.2x50	2
25	P115000261020000	Spring Ring 22.5x1.4	1
26	P115000261010000	Spring Ring 19x1.4	1
27	P115000460010000	Knurling Bolt M10x1.25x30	8

REAR AXLE ASSEMBLY



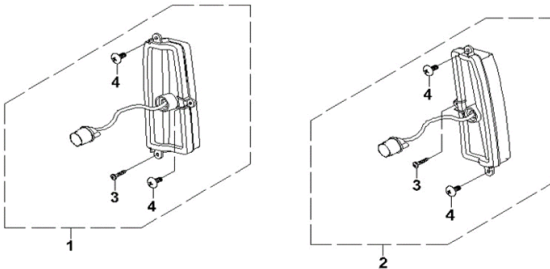
No	Part Number	Description	QTY
1	PJ00000411623501	Rear Hub Assy (R127)	2
2	PJ00000411616100	Rear Tire (Wanda AT27x11-14)	2
3	P1150004113A0000	Valve Core	2
4	P115000462100000	Mounting Bracket, Rear Hub	2
5	PJ00000902200000	Inner Hexagon Cone Step Bolt M8	8
6	PJ00000903450200	Nut M10x1.25	8
7	PJ00000263002200	Rear Right Half Shaft Y	1
8	PJ00000264000900	Rear Right Half Shaft K	1
9	PJ00000410040701	Wheel Cap G	2
10	P318001557020000	Tube Steering Knuckle	4
11	BGB6187M10125	Hexagon Flange Locked Nut M10x1.25	4
12	P117000444550000	Rear Right Brake Pad	1
13	P117000444540000	Rear Left Brake Pad	1
14	P115000911200000	Inner Oil Seal 38x62x8, Knuckle	2
15	BGB2766206RS	Deep Groove Ball Bearing 6206RS	4
16	P115000911210000	Outside Oil Seal 42x62x7, Rear Knuckle	2
17	P115000557040000	Inside Spacer Bush,Rear Knuckle Bearing	2
18	P115000557100000	Rear Knuckle Assy (L)	1
19	PJ00000260020400	Boot Sheath E	2
20	PJ00000260020200	Boot Sheath C	2
21	P115000557200000	Rear Knuckle Assy (R)	1
22	PJ00000907200300	Hoop D	4
23	PJ00000907200100	Hoop B	4
24	BGB9459M2415C	Hexagon Thin Slotted Nut M24x1.5	2
25	BGB913250	Cotter Pin 3.2x50	2
26	P115000521070000	Nozzle, Knuckle	4
27	BGB16674M12125110	Hexagon Flange Bolt 12x1.25x110	4
28	P115000557010000	Dust P. Cover	8
29	P115000261030000	Spring Ring 40.5x25	2
30	P115000460010000	Knurling Bolt M10x1.25x30	8

FRONT HEADLIGHT ASSEMBLY



No	Part Number	Description	QTY
1	P312002351300000	Front Right Headlight	1
2	P312002351100000	Front Headlight Assy (L)	1
3	P311001354250000	Front Right Turning Light	1
4	P311001354000000	Front Left Turning Light	1
5	BGB845ST3913	Cross Recessed Pan Head Tapping Screw St3.9x13	8
6	PJ00000905200400	Cross Large Plate Head Screw M6x12	8
7	PJ00000384110000	Headlight Bulb HS1;12V;35W/35W	2

REAR TAILLIGHT ASSEMBLY

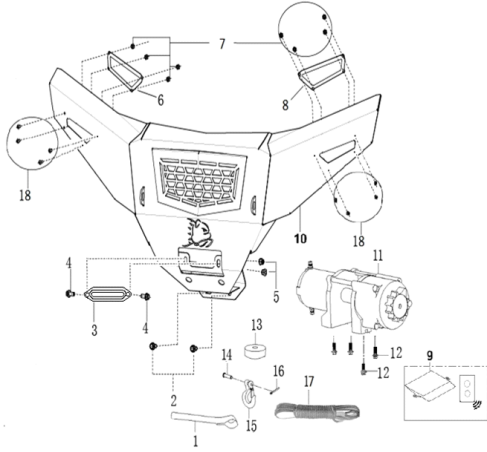


No	Part Number	Description	QTY
1	P312001353750000	Rear Right Position Lamp Assy	1
2	P312001353500000	Rear Left Position Lamp Assy	1
3	BGB845ST3913	Cross Recessed Pan Head Tapping Screw St3.9x13	2
4	PJ00000905200400	Cross Plate Head Tapping Screw M6x12	4

HARNES & SWITCHES

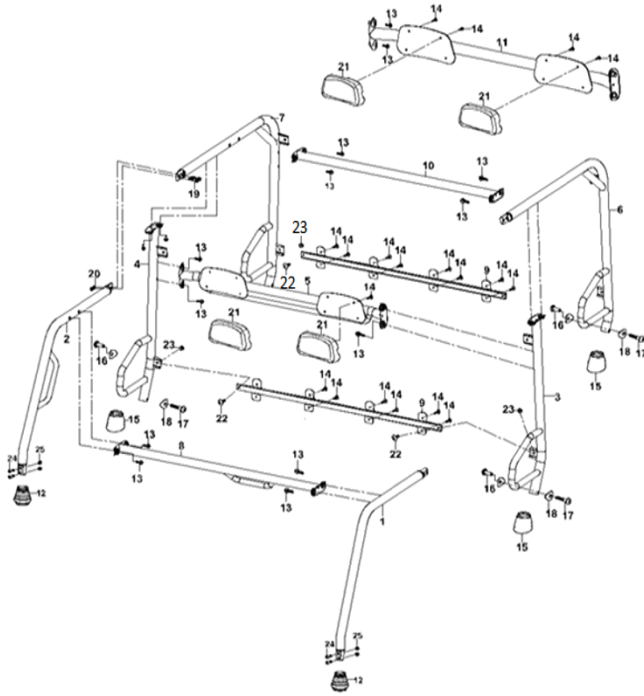
	No	Part Number	Description	QTY	
	1	P311001371200000	Light Switch	1	
	2	P311001371250000	High/Low Light Switch	1	
	3	P311001371400000	2WD/4WD Switch	1	
	4	P311001371450000	Front Differential Switch	1	
	5	P311001371300000	Emergency Light Switch	1	
	6	P311001371550000	Control Switch,Winch	1	
	7	P311001371350000	Turning Light Switch	1	
	8	BGB16674M616	Turning Light Switch	4	
	9	P115000377400001	Winch Relay	1	
	10	323101070000	DC Socket	1	
	11	P311001823040002	Control Panel,Switch	1	
	12	P312001823120000	Control Box,Switch	1	
	13	BGB818M525	Cross Plate Head Tapping Screw M5x25	4	
	14	BGB16674M620	Hexagon Flange Bolt M6x20	2	
	15	Please Call	ECU Controller (With Exchange)	1	
	16	BGB16674M620	Hexagon Flange Bolt M6x20	3	
	17	BGB818M312C	Cross Plate Head Tapping Screw M3x12	1	
	18	P311001823110000	Trim Cover,Front Panel	1	
	19	P311001377050000	Starting Relay	1	
	20	P1150003461A0000	Horn	2	
	21	P309001325300001	USB Connector	1	
	22	B13773500	Main Relay Assy	1	
	23	P311001379200000	Fan Controller	1	
	24	P311001371130001	Rocker - Shaped Switch Assy I	1	
	25	P309101344000000	Battery Cable,Winch	1	
	26	P311001321000000	Voltage Regulator	1	
	27	NA	Battery	1	
	28	P309101341000007	Leader Cable	1	
	29	P116000331000000	Ignition Coil	1	
	30	BGB16674M640	Hexagon Flange Bolt M6x40	2	
	31	P113E00331010000	Connecting Cable, Ignition Coil	1	
	32	P311001373100011	Microswitch	1	
	33	P3150013794500010	Speed Governor (USA)	1	
	34	P310002343600000	Pilot Wire 1, Panel Switch	1	
	35	P310002343700001	Pilot Wire 2, Panel Switch	1	
	36	P313001346300010	Buzzer	1	
	37	P312001379250001	Control Relay, 2Wd/4Wd	1	
	38	P310002343400000	Rectifier Output Wire	1	
	39	P309001343200000	Negative Cable, Battery	1	
	40	P309001342000005	EFI Cable (Three-wire EPA)	1	
			P309001342000006	EFI Cable (CARB)	
	41	P312001343800000	Winch Motor Cable	1	
	42	PJ00000383110000	Fuse 5A	2	
	43	PJ00000383120000	Fuse 10A	3	
	44	PJ00000383130000	Fuse 15A	4	
	45	P309001623500000	EPS Controller	1	
	46	PJ00000392561000	Socket Rubber Plug B	1	
	47	P318001344500000	Ground Lead	1	
	48	P115000899140000	Insulator Plug (Negative Pole)	1	
	49	P311001371130001	Rocker-shaped Switch Assy I	1	
	50	P318001344500000	Ground Lead	1	
	51	P310002343750001	Pilot Wire 3, Panel Switch	1	
	52	P311001379530001	Parking Alarm controller	1	
	53	P307001570010000	Dust cushion, switch control box	1	
	54	PJ00000905200000	Cross Recessed Plate Head Screw M5x12	2	
	55	BGB61771M5	Hexagon Flange Nut M5	2	
	56	P301001344020000	Fuse	1	
	57	PJ00000383500125	125A Fuse Box	1	
	58	PJ00000383500200	200A Fuse Box	1	
59	PJ00000383500350	350A Fuse Box	1		

BUMPER & WINCH



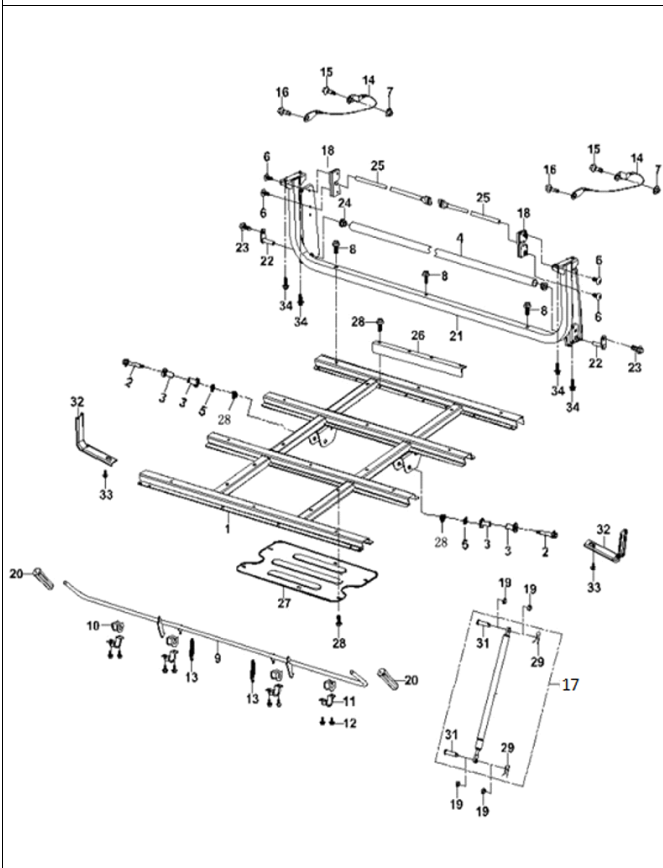
No	Part Number	Description	QTY
1	P115000899050001	Hand Tape	1
2	BGB16674M1012520	Hexagon Flange Bolt M10x1.25x20	4
3	P115000899020100	Hawse Fairlead	1
4	BGB16674M820	Allen Hex Socket Bolt M8x25	2
5	BGB61771M8	Locking Nut M8	2
6	HA010122250204	Turn Signal Mounting Plate (Left)	1
7	BGB61822016M6	Hex Lock Nut M6 (Non-Metallic Insert)	1
8	HA010122250104	Turn Signal Mounting Plate (Right)	1
9	P310002377410000	Wireless Winch Controller	1
10	HA120122240104	Bad Boy Bumper	1
11	P310002899110101	Winch (3500B nylon rope)	1
12	BGB16674M820	Hexagon Flange Bolt M8x20	1
13	P115000899040001	Cable Stop	2
14	P115000899090000	Fixing Pin 9.5x40	1
15	P115000899010000	Hook	1
16	BGB91230BA	Split Pin 2x30	1
17	P310002899110100	Replacement Nylon Rope (3500lb)	1
18	BGB7022015M616	Hexagon Socket Dome Head Screw M6x16	8

ROLL CAGE



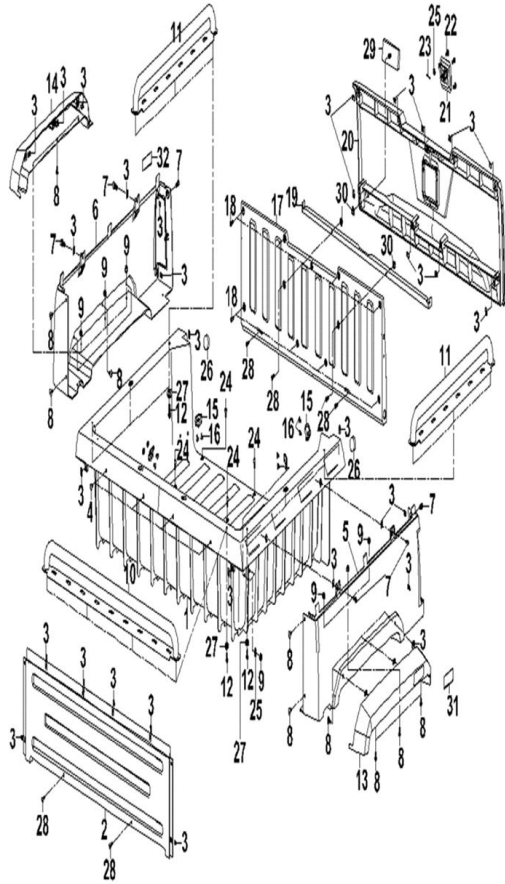
No	Part Number	Description	QTY
1	P309101517100000	Roof Rod I - Textured Coating	1
	P309101517100100	Roof Rod I - Smooth Coating	
2	P309101517200000	Roof Rod II - Textured Coating	1
	P309101517200100	Roof Rod II - Smooth Coating	
3	P309101517300000	Roof Rod III - Textured Coating	1
	P309101517300100	Roof Rod III - Smooth Coating	
4	P309101517400000	Roof Rod IV - Textured Coating	1
	P309101517400100	Roof Rod IV - Smooth Coating	
5	P309101517500000	Roof Rod V - Textured Coating	1
	P309101517500100	Roof Rod V - Smooth Coating	
6	P309101517600000	Roof Rod VI - Textured Coating	1
	P309101517600100	Roof Rod VI - Smooth Coating	
7	P309101517700000	Roof Rod VII - Textured Coating	1
	P309101517700100	Roof Rod VII - Smooth Coating	
8	P309101517800000	Roof Rod VIII - Textured Coating	1
	P309101517800100	Roof Rod VIII - Smooth Coating	
9	P315001517500000	Bracket - Backrest Plated Kit	2
10	P309101517900000	Roof Rod VIII	1
11	P309001514400000	Roof Rod IV - Textured Black	1
	P309001514400100	Roof Rod IV - Smooth Black	
12	PJ00000932200200	Joint Sheath C, Roof Rod	2
13	BGB16674M1012516	Hexagon Flange Bolt M10x1.25x16	20
14	PJ00000905200600	Cross Large Plate Head Screw M6x20	16
15	PJ00000932200500	Joint Sheath F, Roof Rod	4
16	PJ00000929750000	Hexagon Nut M8x25	4
17	PJ00000902050000	Inner Hexagon Cone Step Bolt M8	2
18	P115000515860000	Curve Pad	8
19	BGB701M1012545	Socket Hexagon Head Screw M10x1.25x45	4
20	BGB6187M10125	Hexagon Flange Locked Nut M10x1.25	4
21	P117000713100000	Head Rest	4
22	PJ00000905200600	Cross Large Plate Head Screw M6x20	4
23	PJ00000903460000	Cap Nut M6x14	6
24	BGB701M1012545	Socket Hexagon Head Screw M10x1.25x45	4
25	BGB6187M10125	Hexagon Flange Locked Nut M10x1.25	4

BED FRAME



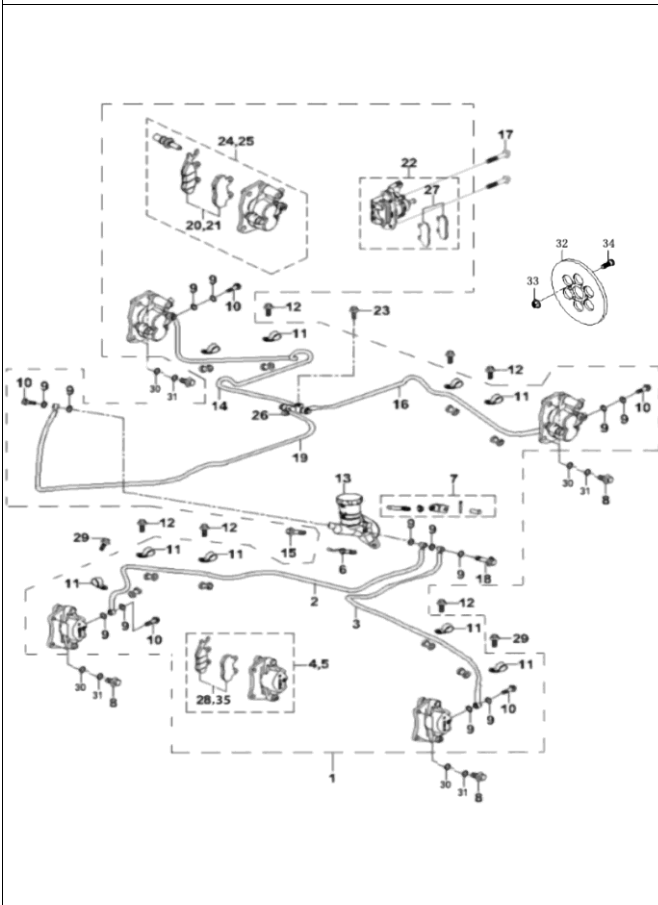
No	Part Number	Description	QTY
1	P309001518100000	Bed Baseplate	1
2	PJ00000902150100	Pin Cargo Bed Kit	2
3	PJ00000924500700	Plastic Turnup Liner 12x18	4
4	P309001515880000	Rotating Liner Tube	1
5	BGB52878	Washer 8x28x2	10
6	PJ00000905200600	Cross Large Plate Head Screw M6x20	4
7	BGB61832M6	Hexagon Flange Self-Lock Nuts M6	2
8	BGB16674M620	Hexagon Flange Bolt M6x20	3
9	P309001515890000	Cargo Anti-Roll Lever	1
10	PJ00000931400000	Damping Sleeve 14x29, Balance Bar	4
11	P112000515900000	Mounting Cap, Cushion Rubber	4
12	BGB16674M612	Hexagon Flange Bolt M6x12	12
13	PJ00000961000700	Tension Spring H	2
14	PJ000007292A0000	Cable B, Bed Door	2
15	PJ00000902180000	Bolt M6x12, Bed Cable	2
16	PJ00000902180100	Bolt M6x20, Bed Cable	2
17	P315001727000102	Gas Spring Assembly Cargo Bed	1
18	P117000895300000	Bed Door Locks	2
19	PJ00000931100300	Rubber Washer 13x10	4
20	PJ00000933050000	Handle Rubber Sleeve	2
21	P309001518200000	Bed Door	1
22	P117000515920000	Hinge Plate, Bed	2
23	BGB16674M812	Hexagon Flange Bolt M8x12	2
24	PJ00000924500200	Plastic Turnup Liner 10.5x18	2
25	P309001895600000	Lock Pin, Cargo	2
26	P309001515930000	Insulation Plate, Taillight Line	1
27	P309001515160000	Insulation Board, Muffler	1
28	BGB16674M616	Hexagon Flange Bolt M6x16	6
29	PJ00000908050100	R Type Pin B	2
30	NA	NA	
31	PJ00000929700500	Split Pin 12x47	2
32	P309101519490000	Stopper Plate, Cargo Box	2
33	BGB16674M816	Hexagon Flange Bolt M8x16	2
34	PJ00000903470300	Cross Recessed Pan Head Tapping Screw ST6x16	4

CARGO BED



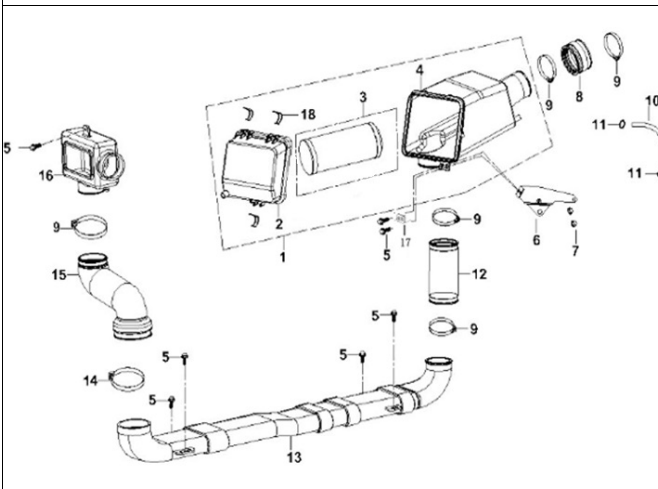
No	Part Number	Description	QTY
1	P30900182705000023	Plastic Bed	1
2	P30900182703000123	Front Board, Bed	1
3	PJ00000903500300	Nut Holder M6x2	33
4	PJ00000905200500	Cross Large Plate Head Screw M6x16	4
5	P30900182701000043	Left Panel, Cargo Bed: 3556 Orange	1
	P3090018270100009D	Left Panel, Cargo Bed: HTC Camo	
6	P30900182702000043	Right Panel, Cargo Bed: 3556 Orange	1
	P3090018270200009D	Right Panel, Cargo Bed: HTC Camo	
7	PJ00000902250400	Socket Hexagon Screw M6x20	6
8	PJ00000905200500	Cross Large Plate Head Screw M6x16	18
9	BGB61771M6	Hexagon Flange Nut M6	2
10	P309001515480000	Front Fence Assy, Bed	1
11	P309001515490000	Side Fence Assy, Bed	2
12	BGB16674M816	Hexagon Flange Bolt M8x16	10
13	P309001828050000	Rear Left Wheel Regula II	1
14	P309001828060000	Rear Right Wheel Regula II	1
15	P115000515300000	Strip Hook	4
16	PJ00000905200500	Cross Large Plate Head Screw M6x16	8
17	P309001827090000	Inner Scaleboard, Cargo Door	1
18	PJ00000902250100	Socket Hexagon Screw M6x16	6
19	P309001515500000	Support Plate, Bed Door	1
20	P30900182704010043	Door Panel, Cargo Bed: 3556 Orange	1
21	P3090018270401009D	Door Panel, Cargo Bed: HTC Camo	1
21	P117000895500000	Door Switch Comb., Cargo Bed	1
22	BGB8455T4213	Cross Recessed Pan Head Tapping Screw S14.2x13	4
23	BGB91225	Split Pin 2x30	2
24	PJ00000902250400	Socket Hexagon Screw M6x20	11
25	BGB9716	Plain Washer 6	10
26	PJ00000931150800	Cylindrical Cushion Pad 11x11	2
27	BGB52878	Washer 8x28x2	10
28	PJ00000902250100	Socket Hexagon Screw M6x16	6
29	P102000348100000	Rear Reflector	2
30	BGB61771M6	Hexagon Flange Nut M6	2
31	P309001093130000	Rear Left Reflector	1
32	P309001093140000	Rear Right Reflector	1

BRAKE ASSEMBLY



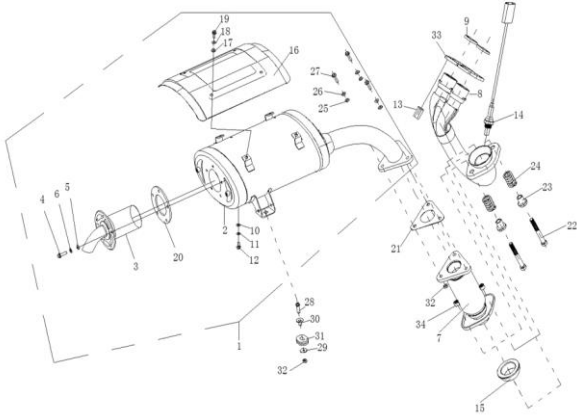
No	Part Number	Description	QTY
1	P309101441000001	Brake system assembly	1
2	P315001441400000	Line Brake (front/right)	1
3	P315001441300000	Line Brake (front/left)	1
4	P318001441200000	Disc Brake pliers assembly(front/right)	1
5	P318001441100000	Disc Brake pliers assembly(front/left)	1
6	P312001376200000	Switch Brake tail lamp	1
7	P309001441040000	Roof Bar, Disc Brake	1
8	P318001440220000	Mounting Bolt	8
9	P115000440020000	Gasket	13
10	P115000440010000	Blot barjo I	5
11	P115000444590000	Clip line Brake I	12
12	BGB16674M616	Bolt Hexagon flange head M6x16	10
13	P315001441800000	Main Brake Bump Assembly	1
14	P318001442500000	Line Brake (rear/right)	1
15	BGB16674M825	Bolt Hexagon flange head M8x25	2
16	P315001442400000	Line Brake (rear/left)	1
17	BGB16674M1012555	Hexagon Flange Bolt M10x1.25x55	2
18	P115000440130000	Bolt Barjo II	1
19	P318001442300000	Line Brake(middle)	1
20	P115000441110000	Disc (front/left)	1
21	P115000441210000	Disc (front/right)	1
22	P312401443100000	Parking Brake Assy	1
23	BGB16674M635	Bolt hexagon flange head M6x35	1
24	P315001442200000	Disc Brake pliers assembly(rear/right)	1
25	P315001442100000	Disc Brake pliers assembly(rear/left)	1
26	P115000440080000	Tee pipe coupling (brake)	2
27	P315001443210000	Park Brake Pad	1
28	P318001441110000	Front Left Brake Pad	1
29	BGB16674M612	Bolt hexagon flange head M6x12	2
30	BGB97110	Plain Washer 10	8
31	BGB9310	SpringWasher 10	8
32	P309101444570000	Parking Disc Brake Plate	1
33	BGB6187M6	Hexagon Flange Locked Nut M6	6
34	PJ0000902250200	Socket Hexagon Screw M6x28	6
35	P318001441210000	Front Right Brake Pad	1

AIR INTAKE ASSEMBLY



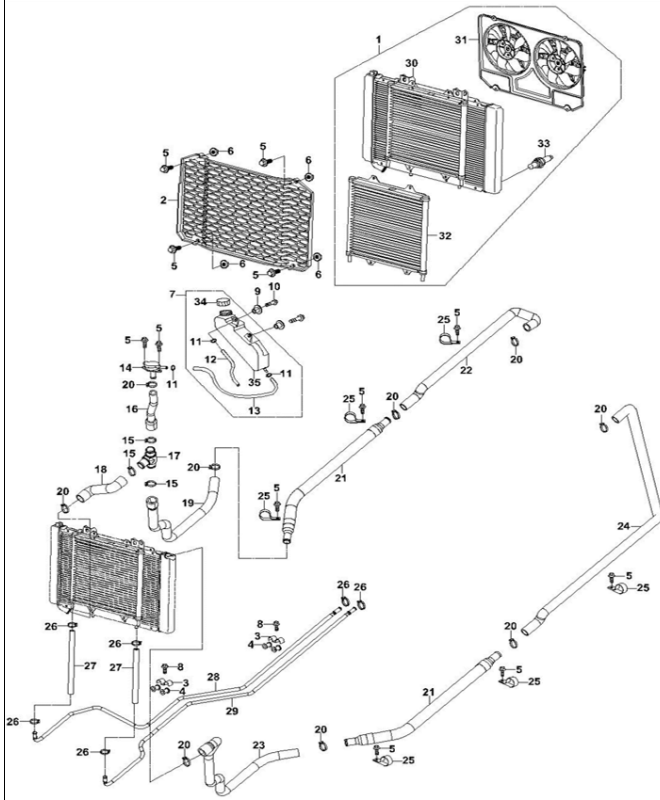
No	Part Number	Description	QTY
1	P315001172000001	Secondary Air Filter Assy	1
2	P315001172040000	Secondary Filter Cap	1
3	P3150011722A000	Air Filter Element (Yellow)	1
	P3150011722A0001	Air Filter Element (White)	
4	P315001172010000	Secondary Filter	1
5	BGB16674M620	Hexagon Flange Bolt M6x20	6
6	P309101515350000	Mounting Plate, Air Filter	1
7	BGB6177M6	Hexagon Flange Nut M6	2
8	P312001172280000	Adapter Sleeve I, Secondary Air-Outlet Pipe	1
9	PJ00000907300900	Locking Hoop J	5
10	P309101188010000	EGR Tube I	1
11	PJ00000907100700	Elastic Hoop H	2
12	P315001172130001	Adapter Sleeve II, Secondary Intake Pipe	1
13	P309101172120000	Secondary Inlet Pipe I	1
14	PJ00000907301300	Screw Locking Hoop N	1
15	P309101172130001	Adapter Sleeve I, Secondary Intake Pipe	1
16	P309101171000000	Primary Air Filter	1
17	P318001172410000	Mounting Pad, Air Filter	2

EXHAUST ASSEMBLY



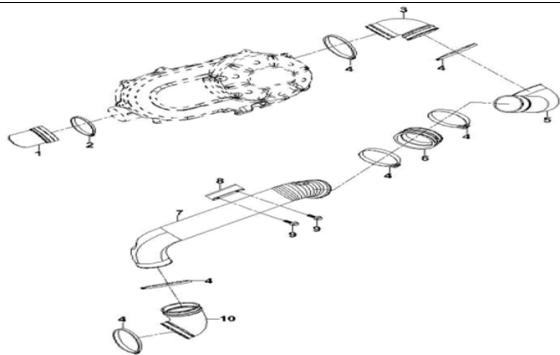
No	Part Number	Description	QTY
1	P318001181000000	Muffler Assembly	1
2	P3180011810A0000	Muffler Welding Kit	1
3	P3090011830A0000	Tailpipe Welding Kit	1
4	BGB16674M616	Hexagon Flange Face Bolt M6x16	2
5	BGB9716	Plain Washer 6	5
6	BGB936	Spring Washer 6	3
7	P3180011825A0000	Exhaust Pipe Welding Kit II	1
8	P3180011821A0000	Exhaust Pipe Welding Kit I	1
9	PJ00000180200400	Exhaust Pipe Gasket 33x42x6	1
10	BGB97110	Plain Washer 10	1
11	BGB9310	Spring Washer 10	1
12	BGB5783M1012516	Bolt Hexagon Flange Head M10x1.25x16	1
13	PJ00000903460300	Nut Cap M8x22	4
14	P116000391600000	O2 sensor	1
15	PJ00000180500300	Domed Washer	1
16	P318001180110000	Muffler Cover	1
17	BGB936B	Plain Washer 6	4
18	BGB9716B	Spring Washer 6	4
19	BGB702M616B	Bolt Hex Socket M6x16	4
20	P318001180250000	Tailpipe Gasket	1
21	P318001180240000	Exhaust Pipe Gasket	1
22	P318001180190000	Bolt Hexagon Flange Head	2
23	P318001180230000	Mounting Bushing	2
24	P007000147040000	Exhaust Pipe Spring	2
25	BGB9718	Spring Washer 8	3
26	BGB938	Plain Washer 8	3
27	BGB16674M825	Bolt Hexagon Flange Head M8x25	3
28	BGB16674M625	Bolt Hexagon Flange Head M6x25	3
29	PJ00000906050200	Washer Plate 6x25x2	6
30	PJ00000929302000	Bushing 6.3x9x12	3
31	PJ00000931300400	Rubber Washer 8x17	3
32	BGB6187M8	Nut Lock M8	3
33	P318001180170000	Exhaust Gasket	2
34	BGB61832M10125	Tail Pipe Cap, Muffler	1

COOLING ASSEMBLY



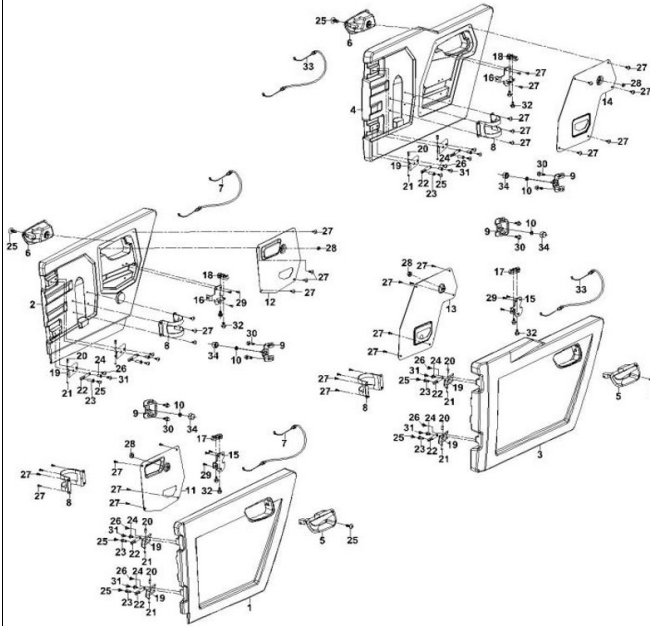
No	Part Number	Description	QTY
1	P309001192000000	Radiator Assy	1
2	P309001825270000	Radiator Cover	1
3	P115000190170000	M - Clip	2
4	P115000155140000	Rubber Block	4
5	BGB16674M616	Hexagon Flange Bolt M6x16	12
6	BGB16674M616	Hexagon Flange Nut M6	2
7	P115000193000000	Second Water Tank Assy	1
8	BGB16674M612	Hexagon Flange Bolt M6x12	2
9	PJ00000929301500	Turnup Liner 6.5x22x6.5	2
10	BGB16674M616	Hexagon Flange Bolt M6x16	2
11	PJ00000907100200	Elastic Hoop C	3
12	P115000193220000	Outlet Pipe, Second Water Tank	1
13	P115000193130000	Water Inlet Pipe, Second Water Tank	1
14	P301001192700000	Filler	1
15	PJ00000907300300	Locking Hoop D	3
16	P309001190190000	Water Inlet Pipe Iv	1
17	P311001190020000	Tee Branch Pipe,Water Inlet	1
18	P309001190180000	Water Inlet Pipe III	1
19	P315001190030000	Water Inlet Pipe II	1
20	PJ00000907300300	Locking Hoop D	9
21	P309001190120000	Metal Water Pipe I	2
22	P309001190010000	Water Inlet Pipe I	1
23	P315001190050001	Water Outlet Pipe II	1
24	P309001190040100	Outlet Pipe I	1
25	P116000190150000	Water Pipe Clip III	6
26	PJ000009073000000	Locking Hoop A	6
27	P309001155040000	High Pressure Rubber Fuel Pipe I	2
28	P309001155130000	Metal Oil Pipe I	1
29	P315001155150000	Metal Oil Pipe II	1
30	P3090011926A0000	Water Tank	1
31	P3090011924A0000	Cooler Fan	1
32	P3090011552A0000	Oil Cooler	1
33	P115000391300000	Water Temp Sensor	1
34	P115000193100000	Secondary Water Tank Cover	1
35	P115000193210000	Second Water Tank	1
36	P309101190120000	Metal Water Pipe I	2
37	P309101190060000	Outlet Pipe III	2
38	P309101192120000	Mounting Busher	2

CLUTCH COVER & DUCTING



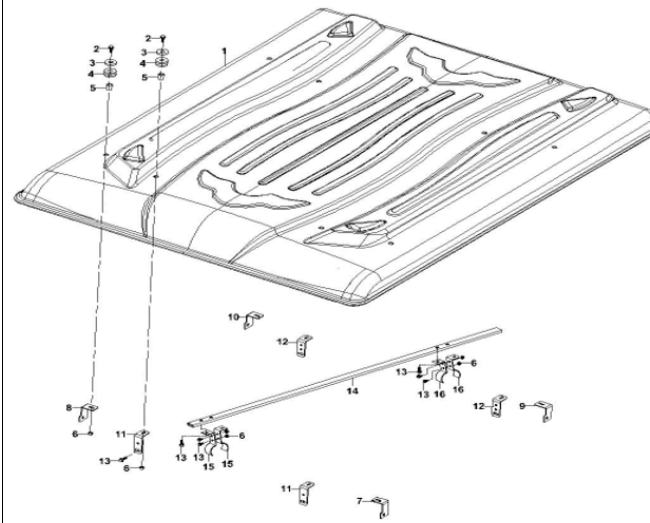
No	Part Number	Description	QTY
1	P316001172160000	Clutch outlet	1
2	PJ00000907301100	Screw Locking Hoop L	1
3	P318001172210002	Connecting Bush I, Clutch Air-Inlet Pipe	1
4	PJ00000907301300	Screw Locking Hoop N	6
5	P309001172200000	Clutch Intake Pipe II	1
6	P312001172210000	Adapter Sleeve I, Secondary Intake Pipe	1
7	P309001172190000	Clutch Intake Pipe I	1
8	P309001515390000	Mounting Plate,Clutch Intake Pipe	1
9	BGB16674M616	Hexagon Flange Bolt M6x16	2
10	P309001172220001	Connecting Bush II, Clutch Air-Inlet Pipe	1

DOOR ASSEMBLY



No	Part Number	Description	QTY
1	P309101845100000	Left Door	1
2	P309101845200000	Right Door	1
3	P309101846100000	Rear Door (L)	1
4	P309101846200000	Rear Door (R)	1
5	P309101846300000	Vehicle Door(L)	2
6	P309101846400000	Vehicle Door(R)	2
7	PJ000007293A0000	Door Cable A	2
8	P309101519110000	Mounting Plate	4
9	P309101515850000	Door Lock Hook Comp	4
10	BGB6177M6	Hexagon Flange Nut M6	4
11	P309101519120000	Mounting Plate (L), Front Door Lock - Textured Coating	1
	P309101519120100	Mounting Plate (L), Front Door Lock - Smooth Coating	
	P309101519130000	Mounting Plate (R), Front Door Lock - Textured Coating	
12	P309101519130100	Mounting Plate (R), Front Door Lock - Smooth Coating	1
13	P309101519140000	Mounting Plate (L), Rear Door Lock - Textured Coating	
	P309101519140000	Mounting Plate (L), Rear Door Lock - Smooth Coating	1
14	P309101519150000	Mounting Plate (R), Rear Door Lock - Textured Coating	
	P309101519150000	Mounting Plate (R), Rear Door Lock - Smooth Coating	
15	P309101845300000	Lock Bracket (L),Vehicle Door	2
16	P309101845400000	Lock Bracket (R),Vehicle Door	2
17	P309101845910000	The Left Door Lock	2
18	P309101845920000	The Right Door Lock	2
19	P309001845800000	Door Hinge	8
20	PJ00000929710400	Step Slotted Pin 10x43	8
21	BGB8968	Washer 8	8
22	PJ00000932550000	Rubber Drawstring	8
23	PJ00000929301900	Turnup Liner 6.5x9x17	8
24	PJ00000929301500	Turnup Liner 6.5x22x6.5	8
25	PJ00000905200800	Cross Large Plate Head Screw M6x30	8
26	PJ00000905200500	Cross Large Plate Head Screw M6x16	8
27	PJ00000905200100	Cross Large Plate Head Screw M5x16	34
28	PJ00000903460000	Cap Nut M6x14	4
29	BGB16674M612	Hexagon Flange Bolt M6x12	12
30	BGB16674M616	Hexagon Flange Bolt M6x16	8
31	PJ00000905200600	Cross Large Plate Head Screw M6x20	8
32	BGB16674M616	Hexagon Flange Bolt M6x16	8
33	PJ000007293A0100	Door Cable A	2
34	PJ00000933560200	Cushion, Door	4

ROOF ASSEMBLY



No	Part Number	Description	QTY
1	P501010825180000	Roof I	1
2	BGB16674M625	Hexagon Flange Bolt M6x25	8
3	PJ00000906061000	Plain Washer 7x30x3	8
4	PJ00000931250100	Damping Pad 8x6.5	8
5	PJ00000929000500	Bushing 7x9x10	8
6	PJ00000903460100	Cap Nut M6x17	12
7	P309101515690000	Support Lug III, Shed - Textured Coating	1
	P309101515690100	Support Lug III, Shed - Smooth Coating	
8	P309101515700000	Mounting Bracket IV, Roof - Textured Coating	1
	P309101515700100	Mounting Bracket IV, Roof - Smooth Coating	
9	P309101515970000	Mounting Bracket V, Roof - Textured Coating	1
	P309101515970100	Mounting Bracket V, Roof - Smooth Coating	
10	P309101515980000	Mounting Bracket VI, Roof - Textured Coating	1
	P309101515980100	Mounting Bracket VI, Roof	
11	P309101519420000	Mounting Bracket VII, Roof - Textured Coating	2
	P309101519420100	Mounting Bracket VII, Roof - Smooth Coating	
12	P309101519430000	Mounting Bracket VIII, Roof - Textured Coating	2
	P309101519430100	Mounting Bracket VIII, Roof - Smooth Coating	
13	BGB16674M616	Hexagon Flange Bolt M6x16	13
14	P309101517250000	Supporting Lever, Roof - Textured Coating	1
	P309101517250100	Supporting Lever, Roof - Smooth Coating	
15	P309101515670000	Support Lug I, Shed - Textured Coating	2
	P309101515670100	Support Lug I, Shed - Smooth Coating	
16	P309101515680000	Support Lug II, Shed - Textured Coating	2
	P309101515680100	Support Lug II, Shed - Smooth Coating	

