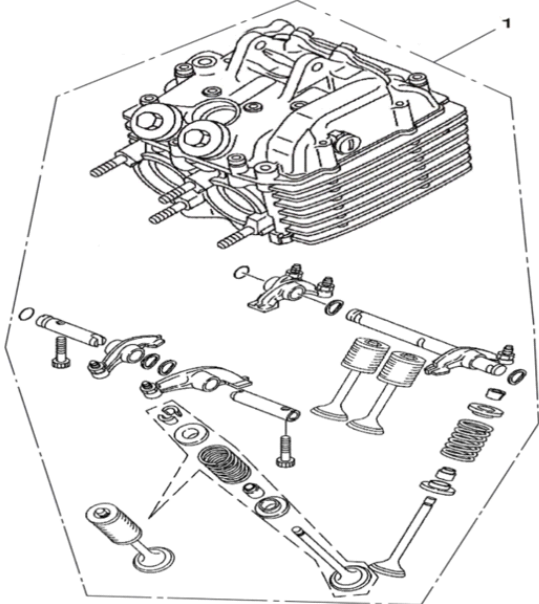
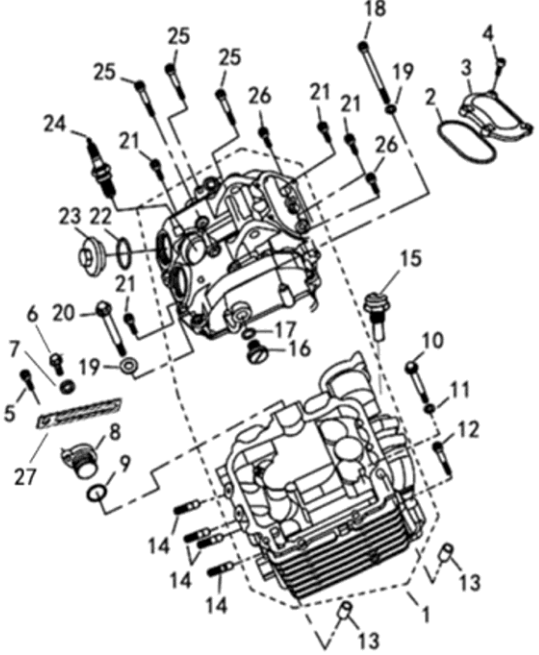


## 2024 BAD BOY 750 CREW ENGINE

CYLINDER HEAD ASSEMBLY	BB2475E01	ENGINE	
	<b>No</b>	<b>Part Number</b>	<b>Description</b>
	1	P007G00122000300	Cylinder Head Assembly
<b>QTY</b>			
1			

CYLINDER HEAD	BB2475E02	ENGINE	
	<b>No</b>	<b>Part Number</b>	<b>Description</b>
	1	P007G001220A0200	Cylinder Head Assy
2	PJ00000912017000	O-Ring 71.5x3	1
3	P007000123010000	Cover, Intake Valve	1
4	BGB70M620	Hexagon socket head cap screw M6x20	4
5	BGB70M620	Hexagon socket head cap screw M6x20	1
6	BGB5787M612	Bolts Hexagon Flange M6x12	1
7	PJ00000906010100	Aluminum Washer 6x12x1.5	1
8	P007000123410000	Camshaft End Cover	1
9	PJ00000912012300	O-Ring 18x2.4	1
10	P007000120120000	bolts Cylinder M9x109	4
11	PJ00000906003400	Washer 10x19x2	4
12	BGB70M650	Hexagon socket head cap screw M6x50	1
13	PJ00000908020300	Pin Dowel 10x16	2
14	BGB901M845B	Stud M8x45(SUS)	4
15	P010000391300010	Thermo Sensor Assy	1
16	P003000110020000	Cover upper	1
17	PJ00000912011400	O-Ring 13.4x2.35	1
18	BGB70M6130	Hexagon socket head cap screw M6x130	2
19	PJ00000906010200	Aluminum Washer 6x12x2	10
20	BGB70M6115	Hexagon socket head cap screw M6x115	1
21	BGB70M625	Hexagon socket head cap screw M6x25	5
22	PJ00000912014200	O-Ring 32.7x3.1	2
23	P007000123020000	Cover,Exhaust Valve	2
24	P010000333000000	Spark Plug NGK DCPR7E	1
25	BGB70M655	Hexagon socket head cap screw M6x55	7
26	BGB70M640	Hexagon socket head cap screw M6x40	2
27	P314001446600000	Clamp	1

INTAKE PIPE		BB2475E03	ENGINE	
	<b>No</b>	<b>Part Number</b>	<b>Description</b>	<b>QTY</b>
	1	P007000164310000	Fuel injector clamp	1
	2	P007000124050000	Seal, intake-tube	1
	3	P007C00165300000	Fuel Injector (25377439)	1
	4	PJ00000906010100	Aluminum Washer 6x12x1.5	2
	5	P007000164300004	Fixed Seat III, Fuel Injector	1
	6	BGB70M612	Hexagon socket head cap screw M6x12	2
	7	P004E00164000101	Throttle Body Assy	1
		P004E00164000102	Throttle Body Assy (C.A.R.B.)	
	8	P010000391500000	Air intake temperature & pressure sensor (28086011)	1
	9	BGB90744M48	Screw & Washer Assy M4x8	1
	10	P010000167010000	Fixed Plate,TEMP	1
	11	PJ000009073008000	Hose Clamp assembly 50~70	2
	12	P016000124010000	Inlet pipe joint	1
	13	P007C001241A0000	Adapter Assy	1
	14	PJ000009290004000	Bushing 7x9x8	4
	15	BGB897M632	Stud M6x32	4
	16	BGB6177M6	Nut M6	4
17	P010000391400000	Throttle Position Sensor	1	
18	P010000393000000	Idle Air Control Valve (IAC Motor)	1	

VALVES		BB2475E04	ENGINE	
	<b>No</b>	<b>Part Number</b>	<b>Description</b>	<b>QTY</b>
	1	P007000147110000	Valve Intake	3
	2	P007000147210000	Valve Exhaust	2
	3	P007000147030000	Spring, Intake Valve	3
	4	P007000147040000	Spring, Exhaust Valve	2
	5	P007000147020000	Washer, Valve Spring	5
	6	P007000147050000	Valve Stem Seal	5
	7	P007000147070000	Retainer Valve Spring	5
	8	P007000147130000	Collet Valve	10
	9	P0070001441A0000	Intake Valve Rocker I (26)	1
	10	P0070001443A0000	Rocker Arm II (27), Intake	1
	11	P0070001444A0000	Exhaust Valve Rocker II (29)	1
	12	P0070001442A0000	Exhaust Valve Rocker I (28)	1
	13	P007000144030000	Intake Valve Rockershaft	1
	14	P007000144040000	Exhaust Valve Rockershaft I	1
	15	P007000144050000	Exhaust Valve Rockershaft II	1
	16	PJ000009120107000	O-Ring 9x2	2
	17	BGB70M620	Hexagon socket head cap screw M6x20	2
18	PJ000009060401000	Wave Mode Washer 12.5x34x0.4	4	

CYLINDER BLOCK		BB2475E05	ENGINE	
	<b>No</b>	<b>Part Number</b>	<b>Description</b>	<b>QTY</b>
	1	P0070001207A0100	Gasket Head	1
	2	PJ00000908020400	Pin, Dowel 12x16	2
	3	P007000120110000	bolts Cylinder M9x38.5	2
	4	PJ00000906003400	Washer 10x19x2	6
	5	P0160001211A0000	Cylinder assy	1
	6	PJ00000912017500	O-Ring 105.7x2.8	1
	7	P007000120090000	Gasket Cylinder	1
	8	P016000110120000	Bolts Cylinder M10x1.25x121	2
	9	P016000110180000	Bolts Cylinder M10x1.25x128	2
	10	P004000110070000	Pipe Clamp II	1
	11	BGB70M640	Hexagon socket head cap screw M6x40	2
	12	PJ00000908020600	Pin Dowel 14x16	2
	13	P007000145080000	Gasket Tensioner	1
	14	P007000145300000	Tensioner assy	1
15	BGB70M625	Hexagon socket head cap screw M6x25	2	

CAMSHAFT		BB2475E06	ENGINE	
	<b>No</b>	<b>Part Number</b>	<b>Description</b>	<b>QTY</b>
	1	P007000141110000	Camshaft assy	1
	2	P0070001431A0000	Timing Driven Sprocket assy	1
	3	P016000143020000	Chain Timing M7-6.35-130	1
	4	P0160001452B0000	Guide Chain	1
	5	P0040001451B0000	Lever	1
	6	BGB907414M616	Screw & Washer Assy M6x16	2
	7	BGB5789M711	Bolts Hexagon Flange M7x11	2
8	P007000141000000	Camshaft assy	1	

PISTON		BB2475E07	ENGINE	
	<b>No</b>	<b>Part Number</b>	<b>Description</b>	<b>QTY</b>
	1	P016000132000100	Crankshaft Assy	1
	2	P004000133220000	Driving Gear Balance Shaft	1
	3	P004000133230000	Spacing Plate, Balance Gear	1
	4	P016000133250000	Buffer Spring, Balance Gear	8
	5	P004000133260000	Spacer Pin, Balance Gear	4
	6	BGB894135	Circlip for shaft 35	1
	7	PJ00000906008000	Washer 10x32x5	1
	8	BGB5787M1012540129	Bolts Hexagon Flange M10x1.25x40	1
	9	PJ00000912012000	O-Ring 16x3	1
	10	BGB2766307	Bearing 6307	1
	11	P007000131010000	Piston	1
	12	P0070001311A0000	Set Piston Ring	1
	13	P007000131020000	Pin Piston	1
	14	P007000131070000	Clip Pin Piston	2
	15	P004000110230000	Bushing, Sealing Ring	1
	16	P003000110240000	Sealing Ring	2
	17	P0160001331A0000	Balance Shaft assy	1
	18	P0160001332A0000	Driven gear Balance Shaft assy	1
	19	BGB1096B5124	Flat key B5x12.4	1
	20	PJ00000904021000	Nut M18x1	1
	21	PJ00000906030400	Tab Washer B	1
	22	BGB2766305	Bearing 6305	1
	23	BGB2766304	Bearing 6304	1
	24	PJ00000911012100	Oil Seal 20x30x7	1
	25	P004000130010001	woodruff key	1
26	P016000133270000	Bushing, Balance driven gear	1	

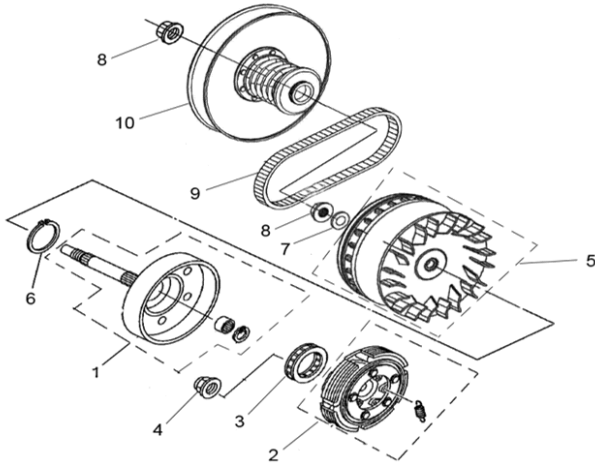
CRANKCASE		BB2475E08	ENGINE	
No	Part Number	Description	QTY	
1	P0070001110A0003	Right Crankcase Assy	1	
2	PJ00000908020500	Pin Dowel 9x12x16	2	
3	BGB5787M630	Bolts Hexagon Flange M6x30	19	
4	P0070001120A0002	Left Crankcase Assy	1	
5	BGB5787M640	Bolts Hexagon Flange M6x40	4	
6	BGB5787M685	Bolts Hexagon Flange M6x85	1	
7	BGB70M840	Hexagon socket head cap screw M8x40	3	
8	PJ00000906010700	Aluminum Washer 14x20x1.5	0	
9	PJ00000904050400	Plug M14x1.5x16	0	
10	P007000156500100	Plug assembly	1	
11	PJ00000912012400	O-Ring 18x3.5	2	
12	P004000110130000	Plate,Main Bearing	1	
13	BGB5787M616	Bolts Hexagon Flange M6x16	2	
14	P004000113210100	Bearing chock	1	
15	P004000113220100	Gasket	1	
16	BGB27616010	Bearing 16010	1	
17	PJ00000911012200	Oil Seal 35x65x9	1	
18	BGB89380	Circlip for hole 80	1	
19	P004000171660100	Bracket,CVT Vent-Pipe	1	
20	BGB907414M616	Screw & Washer Assy M6x16	4	
21	PJ00000908020300	Pin Dowel 10x16	4	
22	P004000113310000	Strap Clutch cover plated	1	
23	BGB5789M632	Bolts Hexagon Flange M6x32	2	
24	BGB5789M640	Bolts Hexagon Flange M6x40	2	
25	BGB2766201 2Z	Bearing 62012Z	1	
26	PJ00000911011200	Oil Seal 12x32x6	1	
27	P004000110320000	Press Plate,Bracket Oil Seal	1	
28	BGB5787M612	Bolts Hexagon Flange M6x12	1	
29	BGB5787M1012516	Bolts Hexagon Flange M10x1.25x16	1	
30	PJ00000906020300	Copper Washer 10x16x1	1	
31	P012000365500000	Gear position switch	1	
32	PJ00000912013800	O-Ring 29.6x2.4	1	
33	P309001006300000	Tube Oil Level	1	
34	BGB5787M635	Bolts Hexagon Flange M6x35	7	
35	BGB5787M645	Bolts Hexagon Flange M6x45	2	

CRANKCASE COVER		BB2475E09	ENGINE	
No	Part Number	Description	QTY	
1	P004000114010000	Left Crankcase Cover	1	
2	P004000114020000	Gasket Left Crankcase Cover	1	
3	P003000115030000	Damper rubber	1	
4	P003000115040000	Plug,Clutch Cover	1	
5	PJ00000908020300	Pin Dowel 10x16	2	
6	BGB5787M630	Bolts Hexagon Flange M6x30	9	
7	BGB936	Spring Washer 6	7	
8	BGB5787M640	Bolts Hexagon Flange M6x40	4	
9	P004000110040000	Strap wire guard plated	1	
10	BGB5787M612	Bolts Hexagon Flange M6x12	2	
11	BGB2766028	Bearing 60/28	1	
12	PJ00000911011300	Oil Seal 28x52x8.5	1	
13	P002000931170000	Press Plate,Oil Seal	1	
14	BGB8191M512	Cross Recessed Countersunk Flat Head Screw M5x12	2	
15	P003000110020000	Cover upper	1	
16	PJ00000912011400	O-Ring 13.4x2.35	1	
17	P0040001151A0000	Inner Clutch Cover assy	1	
18	P004000115110000	Seal Clutch Cover I, Inner	1	
19	P004000115120000	Seal Clutch Cover II, Inner	1	
20	BGB5789M632	Bolts Hexagon Flange M6x32	7	
21	P0040001152A0000	Clutch Cover Assy, Outer	1	
22	P004000115230000	Seal Clutch Cover, Outer	1	
23	BGB5789M625	Bolts Hexagon Flange M6x25	12	
24	BGB5789M616	Bolts Hexagon Flange M6x16	2	
25	BGB5789M650	Bolts Hexagon Flange M6x50	2	

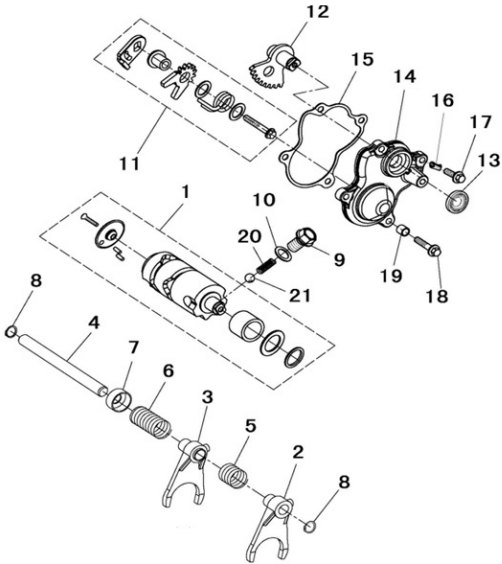
TRANSMISSION		BB2475E10	ENGINE	
	No	Part Number	Description	QTY
	1	P004000222010200	Transmission Main Shaft	1
	2	BGB2766006	Bearing 6006C3	2
	3	PJ00000912013500	O-Ring 26.1x2.4	1
	4	P003000211060000	Bushing secondary CVT	1
	5	PJ00000911011400	Oil Seal 42x55x8	1
	6	BGB2766203	Bearing 6203	1
	7	BGB2766202	Bearing 6202	1
	8	P004000223040000	Chains R gear	1
	9	P00400022600401	Counter shaft assembly	1
	10	BGB2766203DLA8	Bearing 6203DLA8	1
	11	BGB2766303	Bearing 6303	1
12	P004000224000100	X Shaft Assembly	1	

MIDDLE DRIVE GEAR		BB2475E11	ENGINE	
	No	Part Number	Description	QTY
	1	P004000112110100	X Shaft Bearing Block	1
	2	BGB2766305	Bearing 6305	1
	3	P003000931160000	Strap X Bearing Plated	2
	4	BGB8192M825	Cross Recessed Countersunk Flat Head Screw M8x25	4
	5	BGB5787M830	Bolts Hexagon Flange M8x30	4
	6	PJ00000906002500	Washer 26x38x0.4	2
	7	PJ00000904021400	Hexagon Flange Nut M22x1	1
	8	P004000224010100	Driving Bevel Gear	1
	9	P004000224020000	Driven Bevel Gear	1
	10	BGB2766322	Bearing 63/22	1
	11	P00400011120000	Nut M60x1.5	1
	12	BGB2766207	Bearing 6207	1
	13	PJ00000911011600	Oil Seal 30x46x8	1
	14	PJ00000255000200	U Joint (22)	2
	15	P016R00224110022	Yoke joint A (22)	1
	16	P016F00224120022	Yoke joint B (22)	1
	17	PJ00000912017300	O-Ring 88x2.8	1
	18	BGB907414M830	Screw & Washer Assy M8x30	4
	19	P004000111110000	Y Shaft Bearing Block	1
	20	P004000111140100	Spacer 0.1, Bevel Gear	2
	20	P004000111140300	Spacer 0.3, Bevel Gear	
	20	P004000111140500	Spacer 0.5, Bevel Gear	
	20	P004000111140600	Spacer 0.6, Bevel Gear	
	21	P004000224040100	Y Shaft	1
	22	BGB2766205	Bearing 6205	1
	23	PJ00000906001400	Washer 14.5x32x5	1
	24	BGB61872M14	Nut Lock M14x1.5	1
	25	P003000111130000	Nut M55	1
	26	PJ00000911012300	Oil Seal 44x60x7	1
	27	PJ00000906003200	Washer 16.5x28x4	1
	28	BGB61872M16	Nut Lock M16x1.5	1
29	PJ00000254000200	U-joint B (22)	1	
30	P033F00224110022	U-joint A (22)	1	
31	P033000224330000	Y shaft Bushing 25 x 44 x 15	1	
32	PJ00000912013300	O-Ring 25x2.4	1	

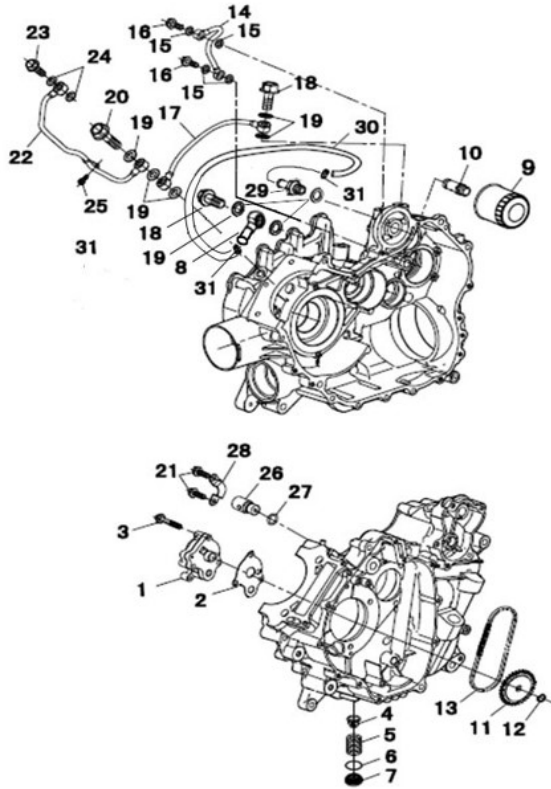
CLUTCH		BB2475E12	ENGINE	
No	Part Number	Description	QTY	
1	P0040002114A0150	Hub Assy,Clutch	1	
2	P0040002111A0150	Friction shoes assembly,Clutch	1	
3	P0040002113A0000	Clutch Drive 1 way hlrdr Assy	1	
4	PJ00000904021400	Nut M22x1	1	
5	P0040002116A0100	Clutch Driving CVT Assy	1	
6	BGB894152	Circlip for shaft 52	1	
7	PJ00000906001700	Washer 19.2x35x3.2	1	
8	PJ00000904020700	Nut M16x1	2	
9	P004000213000000	Belt Drive CVT	1	
10	B00UA422	Clutch Driven CVT Assy	1	



SHIFT CAMFORK		BB2475E13	ENGINE	
No	Part Number	Description	QTY	
1	P004D00232000000	Drum Shift	1	
2	P004000231010000	Shift Fork I	1	
3	P004000231020000	Shift Fork II	1	
4	P004000231310000	Shaft fork	1	
5	P004000231070000	Spring, R gear	1	
6	P004000231050000	Spring, HL gear	1	
7	P004000231060000	Seat spring	1	
8	BGB894112	Circlip for shaft 12	2	
9	P003000233150000	Bolt Special M14x1.5x21	1	
10	PJ00000906020700	Copper Washer 14x21x1	1	
11	P0340002321A0000	Shift Mechanism Assy	1	
	P0340002321A0001	Shift Mechanism Assy	1	
12	P0120002332A0000	Rail Shift Shaft Assembly	1	
13	PJ00000911011000	Oil Seal 15x25x5	1	
14	P004000114210000	Cover,Shift Shaft	1	
15	P004000114220000	Gasket, Shift Shaft Cover	1	
16	P004000110090000	Clamp II	3	
17	BGB5787M620	Bolts Hexagon Flange M6x20	2	
18	BGB5787M630	Bolts Hexagon Flange M6x30	2	
19	PJ00000908020100	Pin Dowel 8x12	2	
20	P002000233020000	Spring 24x1	1	
21	BGB30895	Ball Steel 9.5	1	

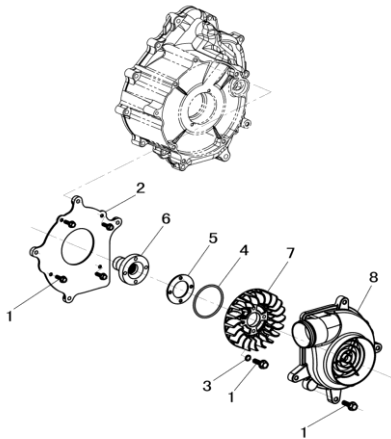


**OIL PUMP**



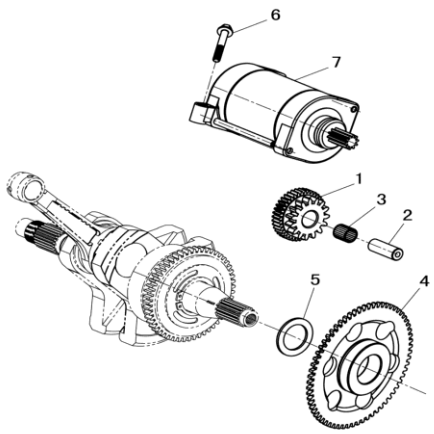
BB2475E14		ENGINE	
No	Part Number	Description	QTY
1	P004000151100100	Oil Pump Assy	1
2	P004000151010100	Gasket Oil Pump	1
3	BGB5787M640	Bolts Hexagon Flange M6x40	3
4	P002000152030000	Strainer Unit Oil	1
5	P002000152040000	Spring Filter	1
6	PJ00000912014700	O-Ring 36x3.5	1
7	P002000111070100	Drain Plug	1
8	P007000153020001	Bolt Banjo	1
9	P003000152000000	Filter Oil Assembly	1
10	P003000152010000	Joint, Filter	1
11	P004000151160000	Driven Sprocket, Oil Pump	1
12	BGB894111	Circlip for Shaft 11	1
13	P004000150030000	Chain, Oil Pump	1
14	P0040001532A0000	Oil Tube Welding assembly A	1
15	PJ00000906010300	Aluminum Washer 8x15x2	4
16	P004000153010000	Bolt banjo M8x25	2
17	P0040001533A0000	Oil Tube Welding assembly B	1
18	P004000153030000	Bolt Banjo M14x1.5x28	2
19	PJ00000906010900	Aluminum Washer 14x22x1.5	8
20	P004000153040000	Bolt Banjo M14x1.5x50	1
21	BGB5787M614	Bolts Hexagon Flange M6x14	2
22	P0160001534A0000	Oil Tube Welding assembly C	1
23	P004000153020000	Bolt Banjo M10x1.25x30	1
24	PJ00000906010400	Aluminum Washer 10x16x1.2	2
25	BGB5787M612	Bolts Hexagon Flange M6x12	1
26	P0040001536A0000	Oil Pressure Regulating Valve	1
27	PJ00000912010800	O-Ring 10x2.45	1
28	P004000153650000	Strap Valve Plated	1
29	P003000111050000	Bolt Banjo	1
30	P003000153071830	Rubber Oil Pipe 1830	1
31	PJ00000907300000	Hose Clamp Assy 12-20	2

**CLUTCH FAN**

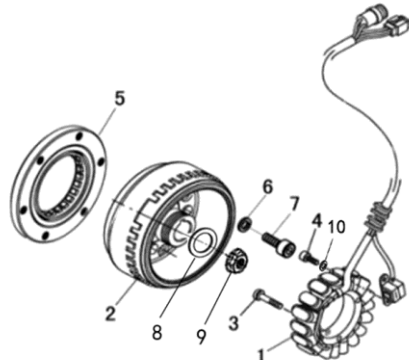


BB2475E15		ENGINE	
No	Part Number	Description	QTY
1	BGB5789M620	Bolts Hexagon Flange M6x20	10
2	P004000191030000	Base Plate	1
3	PJ00000906002900	Washer 6x11x1.5	2
4	PJ00000912016600	O-Ring 64.4x3.1	1
5	P004000191040000	Fan Strongback	1
6	P004000244100200	Starting Driven Gear Assembly	1
7	P004000191020000	Paddle Wheel	1
8	P004000191010000	Fan Cowl	1

STARTER		BB2475E16	ENGINE	
No	Part Number	Description	QTY	
1	P033000245030000	Duplicate Gear	1	
2	P004000245040000	Duplicate Gear Shaft	1	
3	P121618937000000	Needle Bearing KBK121618	1	
4	P0350002440A0000	Disk Gear assembly	1	
5	PJ00000906001101	Washer 27x39x1	1	
6	BGB5787M630	Bolts Hexagon Flange M6x30	2	
7	P016000312000820	Motor Starting Assy	1	



STATOR ASSEMBLY		BB2475E17	ENGINE	
No	Part Number	Description	QTY	
1	P007G00311200200	Generator Stator Assy	1	
2	P004000311100300	Generator Rotor Assy	1	
3	BGB907414M630	Screw & Washer Assy M6x30	3	
4	BGB70M512	Hexagon socket head cap screw M5x12	2	
5	P004000243100000	Spray Clutch	1	
6	BGB938	Spring Washer 8	6	
7	BGB70M816	Hexagon socket head cap screw M8x16	6	
8	P004000244110000	Washer 22x35x2	1	
9	PJ00000904021401	Nut M22x1	1	
10	BGB935	Spring Washer ø5	2	



WATER PUMP		BB2475E18	ENGINE	
No	Part Number	Description	QTY	
1	P004000197000100	Water Pump Assy	1	
2	BGB5787M645	Bolts Hexagon Flange M6x45	1	
3	BGB5787M665	Bolts Hexagon Flange M6x65	1	
4	BGB5787M616	Bolts Hexagon Flange M6x16	1	
5	P004000190070000	Water Pipe II	1	
6	PJ00000912013000	O-Ring 20.7x2.6	1	
7	P004000190080000	Cylinder inlet pipe	1	
8	PJ00000907300300	Hose Clamp Assy 20-32	2	
9	P004000190050000	Water inlet pipe joint of cylinder	1	
10	BGB5787M620	Bolts Hexagon Flange M6x20	2	
11	PJ00000912014300	O-Ring 33.4x2.4	1	
12	P004000190060000	Water Pipe I	1	
13	PJ00000907100300	Clip (9)	2	
14	P004000110070000	Pipe Clamp II	1	
15	PJ00000906010100	Aluminum Washer 6x12x1.5	1	
16	P004000190090000	Cover Thermostat	1	
17	BGB5787M620	Bolts Hexagon Flange M6x20	2	
18	P004000194110000	Seal, Thermostat cover	1	
19	PJ00000912014500	O-Ring 34.2x2.5	1	
20	BGB5787M612	Bolts Hexagon Flange M6x12	1	
21	BGB936	Spring Washer 6	1	
22	P004000197220000	Water Pump Gasket	1	

