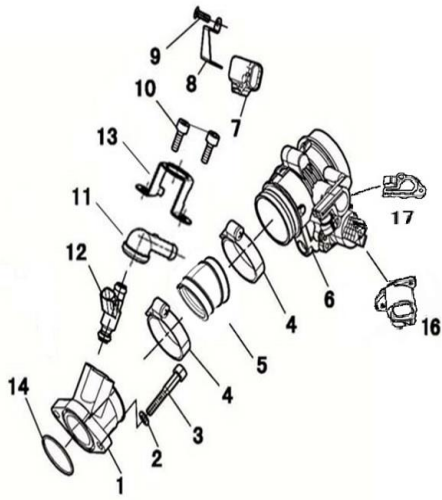
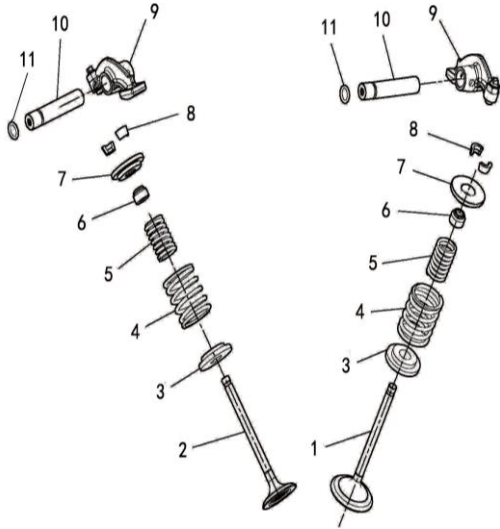




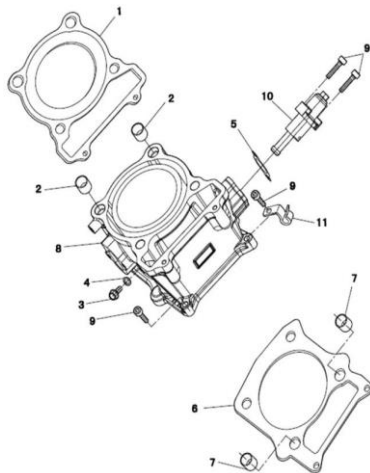
<b>Throttle Body</b>		SC2155E3	Engine		
No	Old Part No	New Part No	Description	QTY	
1	14800004C0000	P004C001241A0000	Intake-Tube Assy	1	
2	906110030000	PJ00000906001200	Washer 8x16x1.5	2	
3	9343208050060	BGB70M850	Hexagon socket head cap screws M8x50	2	
4	904020070000	PJ00000907300800	Hose Clamp Assy 50~70	2	
5	14801007C0000	P007C00124010000	Intake-Tube Joint	1	
6		P004E00164000101	Throttle Body Assy (D46-U)	1	
7	167230100000	P010000391500000	Temperature/Pressure Sensor	1	
8	167010100000	P010000167010000	Press Plate,Temp	1	
9	9314604008060	BGB90744M48	Cross Recessed Pan Head Screw, Single Coil Spr	1	
10		BGB70M612	Hexagon socket head cap screw M6x12	2	
11		P007000164300004	Fixed Seat III, Fuel Injector	1	
12	16400004C0000	P004C00165300000	Fuel Injector (28160355)	1	
13	365400100000	P007000164310000	Fuel injector clamp	1	
14	912070020000	PJ00000912015100	O-Ring 44x2	1	
15	14811004C0000	PJ00000929001000	Bushing Intake Housing	2	
16		P010000393000000	IAC MOTOR	1	
17		P010000391400000	Potion Sensor,Throttle	1	



<b>Valves</b>		SC2155E4	Engine		
No	Old Part No	New Part No	Description	QTY	
1	147110020000	P002000147110000	Intake Valve	1	
2	147210020000	P002000147210000	Exhaust Valve	1	
3	147750020000	P002000147020000	Valve Spring Seat	2	
4		P007000147040000	Spring,Valve,Outer	2	
5	147610020000	P002000147030000	Spring,Valve Inner	2	
6	912250020000	P002000147050000	Valve Stem Seal	2	
7	147710020000	P002000147070000	Retainer,Valve Spring	2	
8	147810020000	P002000147130000	Valve Lock Keeper	4	
9	144300040000	P0040001441A0000	Valve Rocker	2	
10	144510020000	P002000144030000	Valve Rockershaft	2	
11	912270020000	PJ00000912010700	O-Ring 9x2	2	



<b>Cylinder</b>		SC2155E5	Engine		Complete
No	Old Part No	New Part No	Description	QTY	
1	122500150000	P0150001207A0000	Gasket,Cylinder Head	1	
2	908040020000	PJ00000908020400	Pin,Dowel 12x16	2	
3	9310706012060	BGB5787M612	Hexagon Flange Bolts M6x12	1	
4	906010020000	PJ00000906010100	Aluminum Washer 6x12x1.5	1	
5	145080020000	P002000145080000	Gasket,Tensioner	1	
6	121500150000	P015000120090000	Gasket,Cylinder Base	1	
7	908020020000	PJ00000908020600	Pin,Dowel 14x16	2	
8	121000150000	P0150001211A0000	Cylinder Body Assy	1	
9	9343206025060	BGB70M625	Hexagon Socket Head Cap Screws M6x25	4	
10	145000020000	P002000145300000	Tensioner Assy.	1	
11	915010040000	P004000110070000	Pipe Clamp II	1	

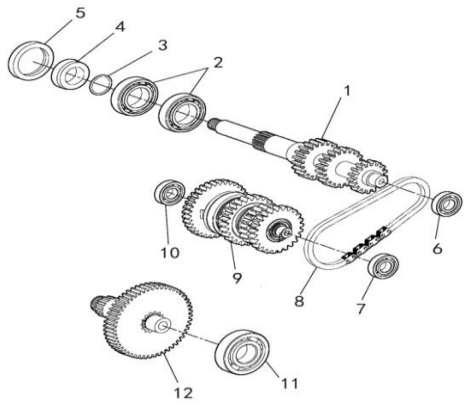




Crankcase		SC2155E8	Engine		
No	Old Part No	New Part No	Description	QTY	
1		P0150001110A0003	右曲轴箱组合	1	
2	908040070000	PJ00000908020500	Pin,Dowel 9x12x16	2	
3	9310706030060	BGB5787M630	Hexagon Flange Bolts M6x30	12	
4		P0150001120A0001	Left Crankcase assembly	1	
5	9310706040060	BGB5787M640	Hexagon Flange Bolts M6x40	2	
6	9310706085060	BGB5787M685	Hexagon Flange Bolts M6x85	1	
7	9343208040060	BGB70M840	Hexagon Socket Head Cap Screws M8x40	3	
8	906120040000	PJ00000906010900	Aluminum Washer 14x22x1.5	1	
9	930040020000	PJ00000904050400	Hexagon Flange Screw Plug M14x1.5x16	1	
10	156100070001	P007000156500100	Oil Dipstick	1	
11	912070010000	PJ00000912012400	O-Ring 18x3.5	1	
12	931030040000	P004000110130000	Press Plate,Main Shaft Bearing	1	
13	9310706016060	BGB5787M616	Hexagon Flange Bolts M6x16	2	
14		P004000113210100	Bearing chock	1	
15		P004000113220100	Gasket	1	
16	937160100000	BGB27616010	Bearing 16010	1	
17	911020040000	PJ00000911012200	Oil Seal 35x65x9	1	
18	907070030000	BGB89380	Circlip For Hole 80	1	
19	5475711550000	P004000171660100	Bracket,Cvt Vent-Pipe	1	
20	9314606016060	BGB907414M616	Hexagon Head Bolt And Plain Washer Assemblies	2	
21	908030100000	PJ00000908020300	Pin,Dowel 10x16	4	
22	113300040000	P004000113310000	Shield Bracket,Clutch	1	
23	9310906032060	BGB5789M632	Hexagon Flange Bolts M6x32	2	
24	9310906040060	BGB5789M640	Hexagon Flange Bolts M6x40	2	
25	9376201238000	BGB2766201 2Z	Bearing 62012Z	1	
26	911010030000	PJ00000911011200	Oil Seal 12x32x6	1	
27	913200030000	P004000110320000	Press Plate,Bracket Oil Seal	1	
28	9310706016060	BGB5787M616	Hexagon Flange Bolts M6x16	1	
29	9310710016060	BGB5787M1012516	Hexagon Flange Bolts M10x1.25x16	1	
30	906140040000	PJ00000906010400	Aluminum Washer 10x16x1.2	1	
31	371200120000	P012000365500000	Sensor,Gear Shift Indicator	1	
32	912080040000	PJ00000912013800	O-Ring 29.6x2.4	1	
33	1131411550000	P309001006300000	Guiding Tube,Oil Level	1	
34		BGB5787M635	Bolts Hexagon flange M6x35	7	
35		BGB5787M645	Bolts Hexagon flange M6x45	2	

Crankcase Covers		SC2155E9	Engine		
No	Old Part No	New Part No	Description	QTY	
1	113000040000	P004000114010000	Stator Case Cover	1	
2	113230040000	P004000114020000	Gasket, Stator Case Cover	1	
3	114030030000	P003000115030000	Damper	1	
4	114040030000	P003000115040000	Drain Plug,Clutch Cover	1	
5	908030100000	PJ00000908020300	Pin,Dowel 10x16	2	
6	9310706030060	BGB5787M630	Hexagon Flange Bolts M6x30	9	
7	9331506000000	BGB936	Spring Washer 6	7	
8	9310706040060	BGB5787M640	Hexagon Flange Bolts M6x40	4	
9	931410040000	P004000110040000	Stator Wire Guard Plate	1	
10	9310706012060	BGB5787M612	Hexagon Flange Bolts M6x12	2	
11	9370602800000	BGB27660/28	Bearing 60/28	1	
12	911030030000	PJ00000911011300	Oil Seal 28x52x8.5	1	
13	931170020000	P002000931170000	Press Plate,Oil Seal	1	
14	9340505012060	BGB8191M512	Cross Recessed Countersunk Head Screw M5x12	2	
15	113250030000	P003000110020000	Small Peep Hole Cover	1	
16	912170040000	PJ00000912011400	O-Ring 13.4x2.35	1	
17	114500040000	P0040001151A0000	Cover,Clutch,Inner	1	
18	114510040000	P004000115110000	Seal,Clutch Inner Cover I	1	
19	114520040000	P004000115120000	Seal,Clutch Inner Cover II	1	
20	9310906032060	BGB5789M632	Hexagon Flange Bolts M6x32	7	
21	114200040000	P0040001152A0000	Cover,Clutch,Outer	1	
22	114230040000	P004000115230000	Seal,Clutch Cover	1	
23	9310706025060	BGB5787M625	Hexagon Flange Bolts M6x25	12	
24	9310906016060	BGB5789M616	Hexagon Flange Bolts M6x16	2	
25	9310906050060	BGB5789M650	Hexagon Flange Bolts M6x50	2	

Transmission Gears		SC2155E10	Engine		
No	Old Part No	New Part No	Description	QTY	
1		P004000222010200	Transmission Main Shaft	1	
2	9370600600000	BGB2766006	Bearing 6006	2	
3	222030030000	P003000211060000	Secondary Cvt Bushing	1	
4	912040030000	PJ00000912013500	O-Ring 26.1x2.4	1	
5	911040030000	PJ00000911011400	Oil Seal 42x55x8	1	
6	9370620300000	BGB2766203	Bearing 6203	1	
7	9370620200000	BGB2766202	Bearing 6202	1	
8	220100040000	P004000223040000	Tooth Shaped Chains For R Gear	1	
9		P004000222600200	Counter shaft assembly	1	
10		P004000222600401	Counter shaft assembly	1	
10	9370620330000	BGB2766203DLA8	Bearing 6203DLA8	1	
11	9370630300000	BGB2766303	Bearing 6303	1	
12		P004000222800000	X Driveshaft Assy	1	
		P004000222800100	X Driveshaft Assy	1	



Drive Gear Assembly		SC2155E11	Engine		
No	Old Part No	New Part No	Description	QTY	
1	221400040000	P004000112110000	X Shaft Bearing Block	1	
2	9370630500000	BGB2766305	Bearing 6305	1	
3	931160030000	P003000931160000	Press Plate,X Shaft Bearing Block	2	
4	9340908025060	BGB8192M825	Cross Recessed Countersunk Head Screw M8x25	4	
5	9310708030060	BGB5787M830	Hexagon Flange Bolts M8x30	4	
6	9060600300000	PJ00000906002500	Washer 26x38x0.4	2	
7	221600100000	PJ00000904021400	Hexagon Flange Nut M22x1	1	
8		P004000224010100	Driving bevel gear	1	
9	221500040000	P004000224020000	Driven Bevel Gear	1	
10	9370632200000	BGB27663/22	Bearing 63/22	1	
11	221580040000	P004000111120000	External Thread Nut M60x1.5	1	
12	9370620700000	BGB2766207	Bearing 6207	1	
13	911060030000	PJ00000911011600	Oil Seal 30x46x8	1	
14	221600100000	PJ00000255000100	U-Joint Assy (22)	2	
	22160004D0000	P010E002241B0022	U-Joint Assy (22)	2	
15		P016R00224110022	U-joint A(22)	1	
	22161004D0000	P016R00224110022	Yoke A(22)	1	
16		PJ00000254000200	U-joint C(22)	1	
	22165004D0000	P016F00224120022	Yoke B(20)	1	
17	912070040000	PJ00000912017300	O-Ring 88x2.8	1	
18	9314608030060	BGB907414M830	Hexagon Head Bolt And Plain Washer Assemblies	4	
19	221510040000	P004000111110000	Y Shaft Bearing Block	1	
20	931150040000	P004000111140100	Spacer 0.1,Bevel Gear	2	
	931150040000	P004000111140300	Spacer 0.3,Bevel Gear	2	
	931150040000	P004000111140500	Spacer 0.5,Bevel Gear	2	
	931150040000	P004000111140600	Spacer 0.6,Bevel Gear	2	
21		P004000224040100	Y shaft	1	
22	9370620500000	BGB2766205	Bearing 6205	1	
23	9060700300000	PJ00000906001400	Washer 14.5x32x5	1	
24	903010030000	BGB61872M14	Self-Locking Nut M14x1.5	1	
25	221590030000	P003000111130000	External Thread Nut M55	1	
26	911030040000	PJ00000911012300	Oil Seal 44x60x7	1	
27	906070040000	PJ00000906003200	Washer 16.5x28x4	1	
28	903010040000	BGB61872M16	Self-Locking Nut M16x1.5	1	
29	22165004D0000	P016F00224120022	Yoke B(20)	1	
30		P033F00224110022	U-joint A(22)	1	
	22161004F0000	P033F00224110022	Yoke A(20)	1	
31		P033000224330000	Y shaft Bushing 25 x 44 x 15	1	
32		PJ00000912013300	O-Ring 25x2.4	1	
33		P033000224330000			
34		PJ00000912013300			

