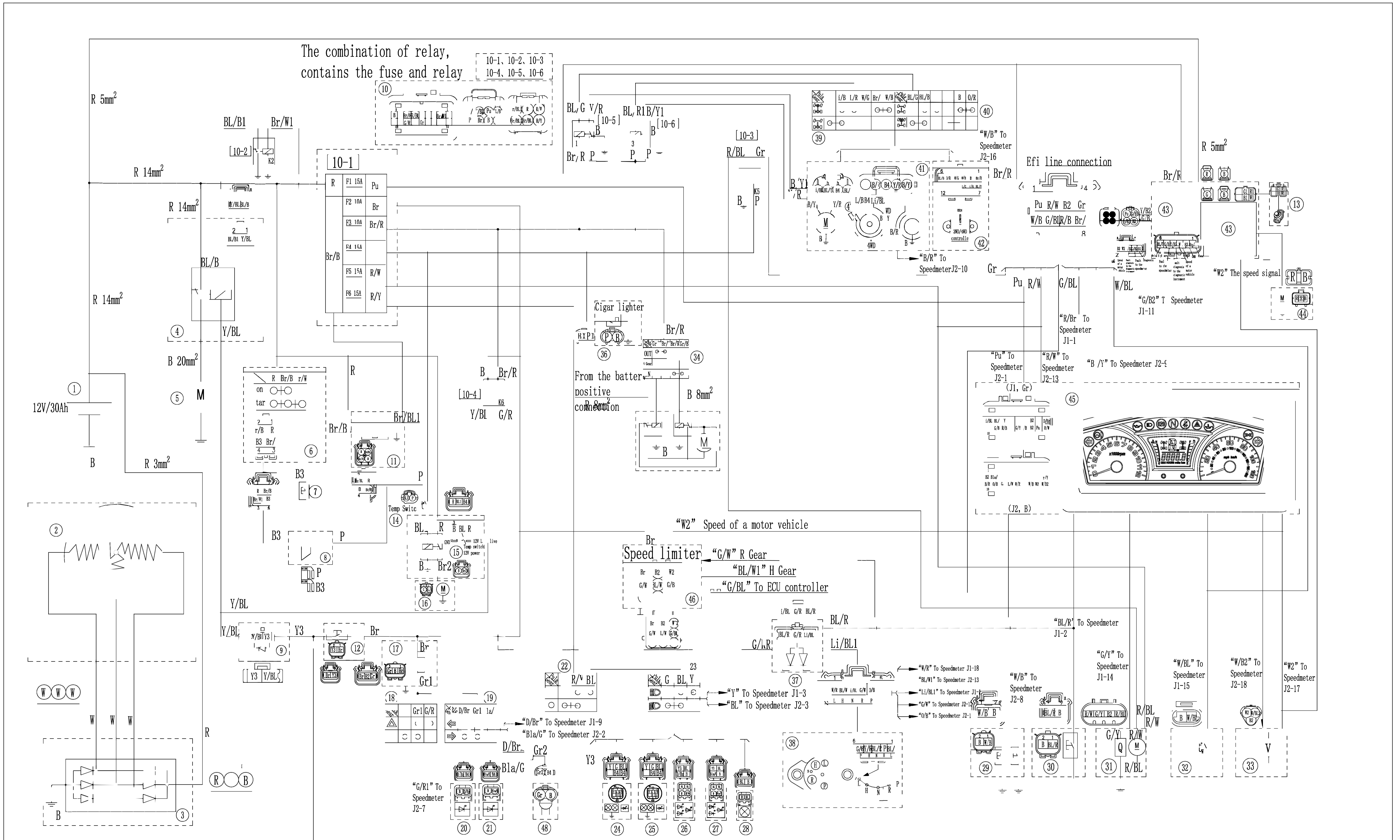


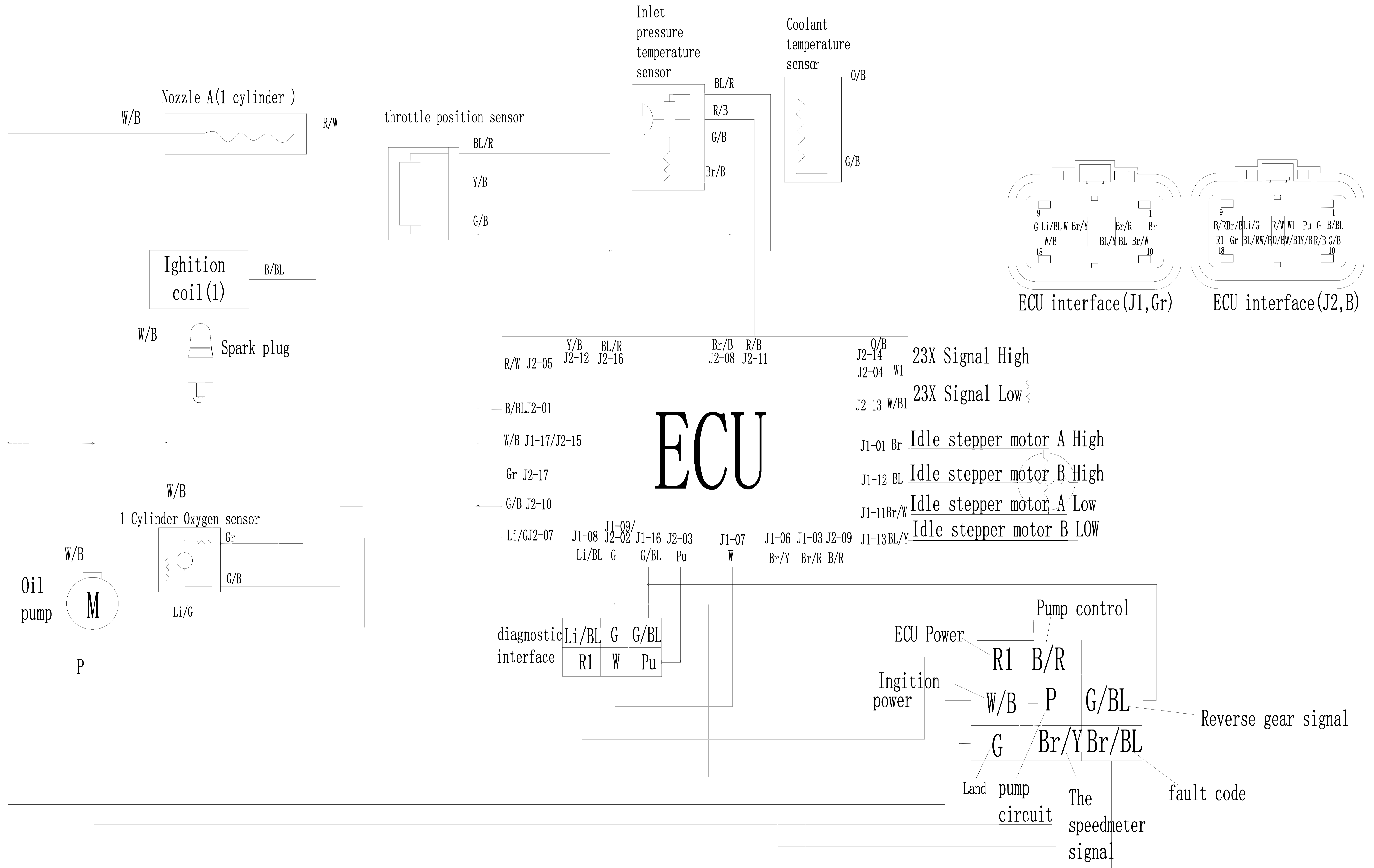
# Bandit 550 & 750 Wire Diagram



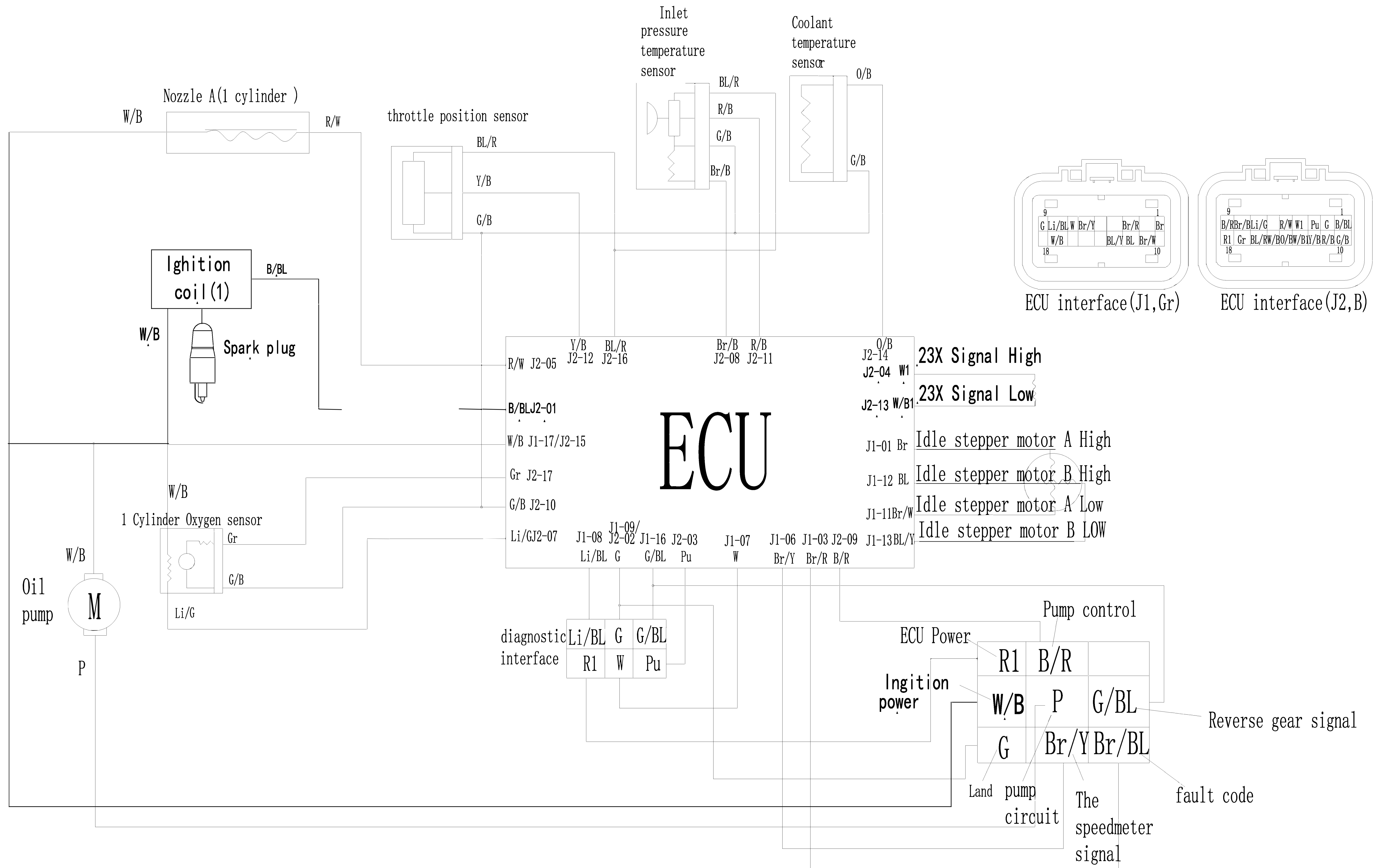
- |                          |  |                                    |                                       |  |  |                               |
|--------------------------|--|------------------------------------|---------------------------------------|--|--|-------------------------------|
| 1. Battery parts         | 9. Brake start dilde                             | 11. The main relay assy.           | 19. Turn light convert switch         | 27. Rear brake light assy. (R)         | 35. Windlass relay assy.               | 43. Power steering controller |
| 2. Magnetic motor        | 10. Relay assy.                                  | 12. Brake switch                   | 20. Front turn signal light assy. (L) | 28. Rear registration plate lamp assy. | 36. DC socket assy.                    | 44. Power steering motors     |
| 3. Rectifier/regulator   | 10-1, Fuse                                       | 13. Torque sensor                  | 21. Front turn signal light assy. (R) | 29. Safety belt lock catch switch      | 37. N gear, parking start dilde        | 45. Speedmeter part           |
| 4. Starter relay         | 10-2, Ignition relay                             | 14. Fan temperature control switch | 22. Lighting switch assy.             | 30. Parking final motion switch        | 38. Documents show assy.               | 46. Speed limiter             |
| 5. Starte motor          | 10-3, Oil pump relay                             | 15. Fan controller                 | 23. Low(hight beam)convert switch     | 31. Fuel pump parts                    | 39. Driven switch assy.                | 47. Differential unlock       |
| 6. Ignition switch parts | 10-4, N gear, parking ignition relay             | 16. Fan motor                      | 24. Head light assy. (L)              | 32. Water temperature sensor           | 40. The front axle differential switch | 48. Buzzer                    |
| 7. Horn patr switch      | 10-5, Front axle 2/4WD control relay             | 17. Flasher                        | 25. Head light assy. (R)              | 33. Speed sensor parts                 | 41. Front axle transfer                |                               |
| 8. Horn patrs            | 10-6, Front axle differential lock control relay | 18. Emergency lamp switch          | 26. Rear brake light assy. (L)        | 34. Windlass controller switch         | 42. 2/4WD control relay                |                               |

Note:  
 R-Red Pu-Purple Li-Light W-White D-Dark Bla-Blackish  
 Br-Brown Y-Yellow BL-Blue B-Black Gr-Grey P-Pink  
 O-Orange G-Green

# Bandit 550 & 750 ECU Wire Diagram



# Bandit 550 & 750 Ignition Wire Diagram









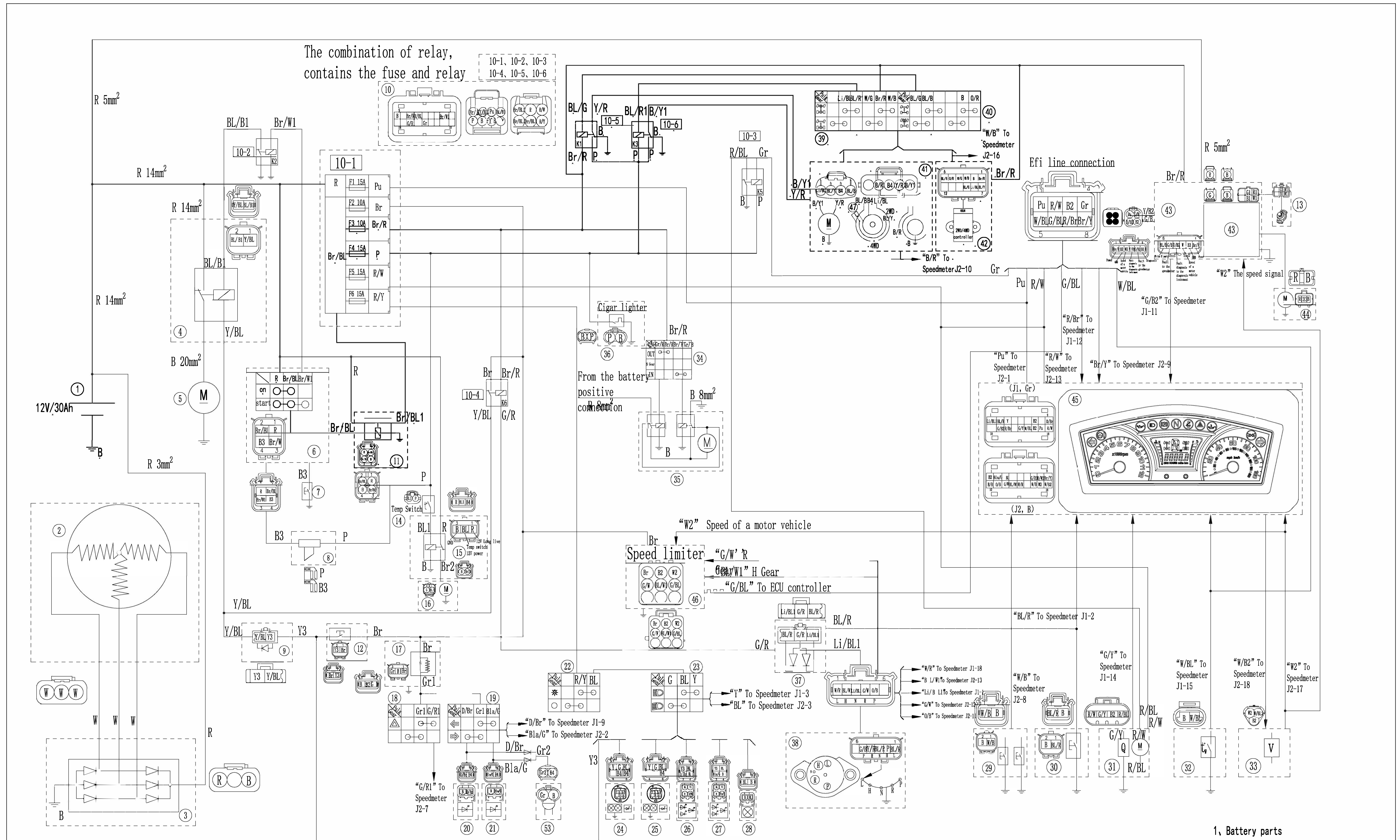








# Bandit 550 & 750 2WD/4WD Wire Diagram



- 1, Battery parts
- 11, The main relay assy
- 39, Driven switch assy.
- 40, The front axle differential switch
- 41, Front axle transfer
- 42, 2/4WD control relay
- 47, Differential unlock